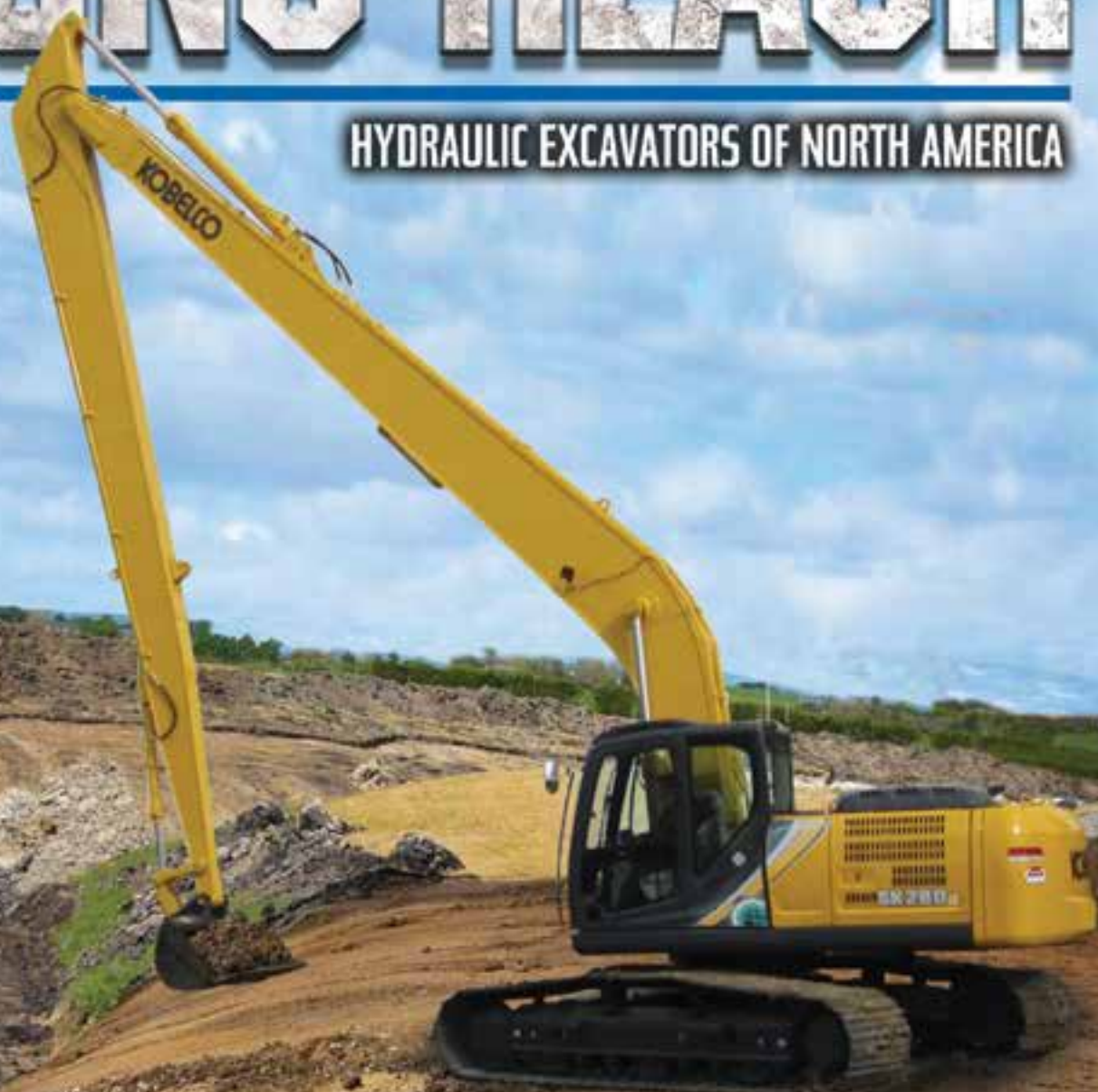


KOBELCO

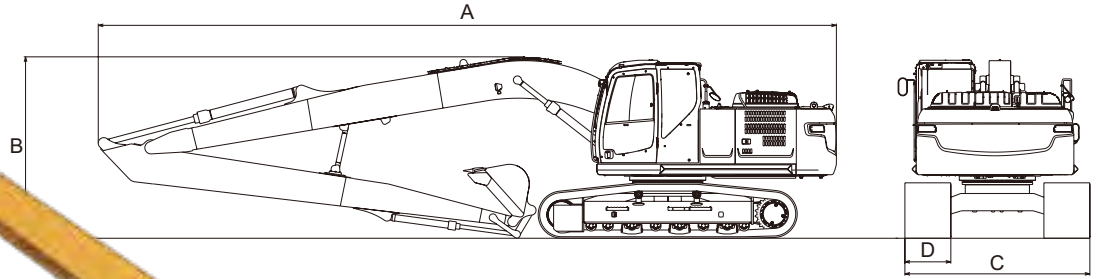
LONG REACH

HYDRAULIC EXCAVATORS OF NORTH AMERICA



BUILT LIKE NO OTHER

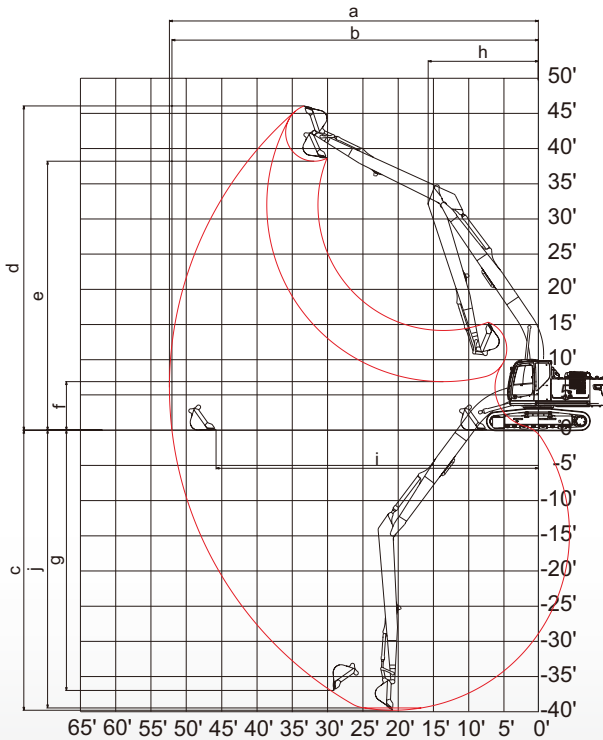
LONG REACH



SK210LC LR

LONG REACH: 50' (15,240 MM)
ENGINE: HINO JO5E-UM
NET POWER: 160 HP (119 KW) / 2,000 RPM
SWING SPEED: 12.7 RPM
OPERATING WEIGHT: 52,200 LBS (23,700 KG)
GROUND PRESSURE: 5.4 PSI (37 KPA)

MAIN SPECIFICATIONS	SK210LC-10 LR
A. Overall Length	41' 8" (12,690 mm)
B. Overall Height	10' 3" (3,120 mm)
C. Overall Width	10' 5" (3,180 mm)
D. Shoe Width	31.5" (800 mm)



— SK210LC

WORKING RANGES	SK210LC-10 LR
Long Reach Attachment	50' (15,240 mm)
Boom	28' 8" (8,738 mm)
Arm	20' 10" (6,350 mm)
a. Max Digging Reach	51' 11" (15,825 mm)
b. Max Digging Reach at Ground Level	51' 7" (15,722 mm)
c. Max Digging Depth	39' 5" (12,015 mm)
d. Max Digging Height	45' 7" (14,503 mm)
e. Max Dump Clearance	37' 10" (11,530 mm)
f. Minimum Dump Clearance	6' 10" (2,083 mm)
g. Max Vertical Wall Digging Depth	36' 8" (11,176 mm)
h. Minimum Swing Radius	15' 6" (4,724 mm)
i. Horizontal Digging Stroke at Ground Level	38' 1" (11,608 mm)
j. Digging Depth for 8' (2.4 m) Flat Bottom	39' 1" (11,913 mm)

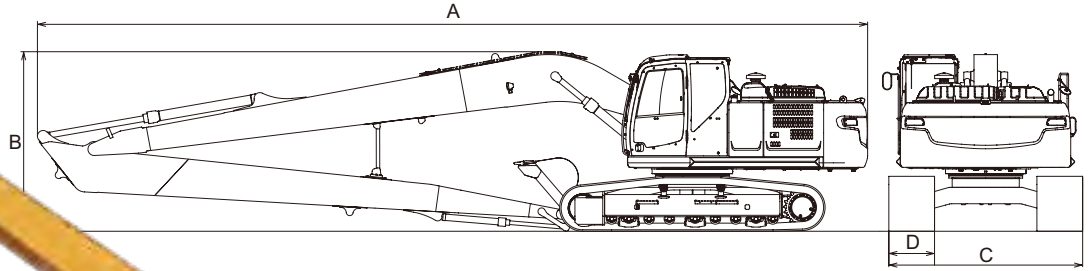
BUCKET SELECTION CHART	Capacity (SAE)	Width	Bucket Weight	Boom / Arm 28' 8" (8.75 m) / 20' 10" (6.35 m)
Ditch	0.64 yd ³ (0.49 m ³)	48" (1.219 m)	860 lbs (390 kg)	L
Ditch	0.73 yd ³ (0.56 m ³)	54" (1.372 m)	900 lbs (408 kg)	L
Ditch	0.82 yd ³ (0.63 m ³)	60" (1.524 m)	966 lbs (438 kg)	L

L - Used with material weight up to 2,000 lbs/yd³ (1,186 kg/m³)



SK260LC LR

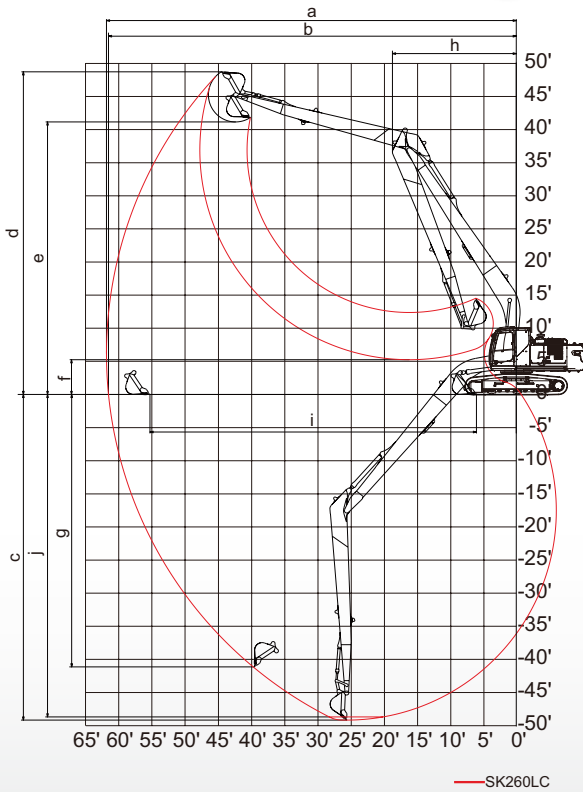
LONG REACH: 60' (18,288 mm)
ENGINE: HINO JO5E-UN
NET POWER: 178 HP (133 kW) / 2,100 RPM
SWING SPEED: 10.2 RPM
OPERATING WEIGHT: 62,000 LBS (28,100 KG)
GROUND PRESSURE: 6.1 PSI (42 KPA)



MAIN SPECIFICATIONS

SK260LC-10 LR

A. Overall Length	47' 8" (14,520 mm)
B. Overall Height	10' 4" (3,160 mm)
C. Overall Width	11' 1" (3,390 mm)
D. Shoe Width	31.5" (800 mm)



WORKING RANGES

SK260LC-10 LR

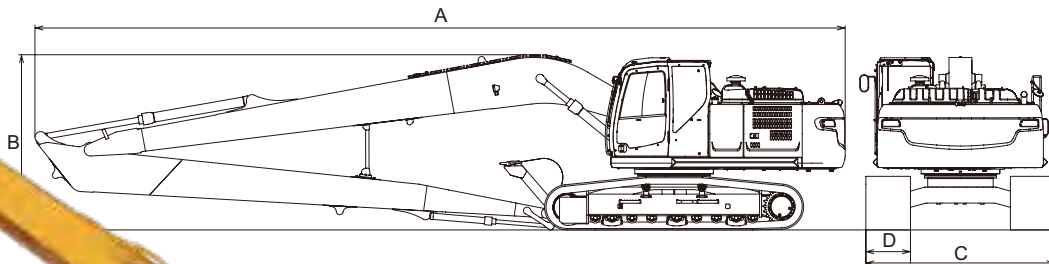
Long Reach Attachment	60' (18,288 mm)
Boom	33' 11" (10,338 mm)
Arm	27' 1" (8,250 mm)
a. Max Digging Reach	60' 10" (18,540 mm)
b. Max Digging Reach at Ground Level	60' 6" (18,440 mm)
c. Max Digging Depth	48' 4" (14,730 mm)
d. Max Digging Height	47' 9" (14,554 mm)
e. Max Dump Clearance	40' 5" (12,320 mm)
f. Minimum Dump Clearance	5' 2" (1,575 mm)
g. Max Vertical Wall Digging Depth	41' 8" (12,700 mm)
h. Minimum Swing Radius	18' 4" (5,588 mm)
i. Horizontal Digging Stroke at Ground Level	48' 5" (14,757 mm)
j. Digging Depth for 8' (2.4 m) Flat Bottom	47' 10" (14,580 mm)

BUCKET SELECTION CHART

	Capacity (SAE)	Width	Bucket Weight	Boom / Arm 33' 11" (10.35 m) / 27' 1" (8.25 m)
Ditch	0.64 yd ³ (0.49 m ³)	48" (1.219 m)	860 lbs (390 kg)	L
Ditch	0.73 yd ³ (0.56 m ³)	54" (1.372 m)	900 lbs (408 kg)	L
Ditch	0.82 yd ³ (0.63 m ³)	60" (1.524 m)	966 lbs (438 kg)	L

L - Used with material weight up to 2,000 lbs/yd³ (1,186 kg/m³)

LONG REACH



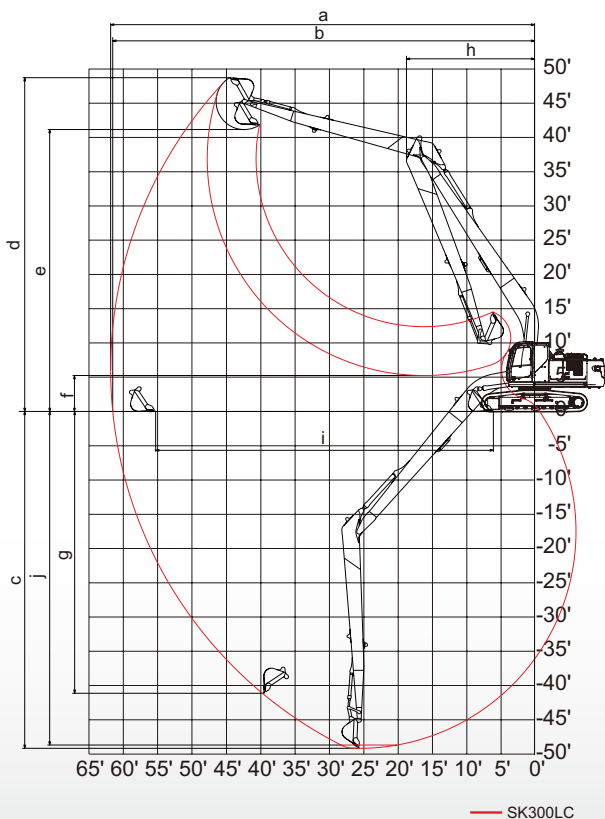
SK300LC LR

LONG REACH: 62' (18,898 MM)
ENGINE: HINO J08EVV
NET POWER: 252 HP (188 KW) / 2,100 RPM
SWING SPEED: 10.3 RPM
OPERATING WEIGHT: 77,473 LBS (35,141 KG)
GROUND PRESSURE: 7.25 PSI (50 KPA)

MAIN SPECIFICATIONS

SK300LC-10 LR

A. Overall Length	50' 2" (15,290 mm)
B. Overall Height	11' 3" (3,425 mm)
C. Overall Width	11' 1" (3,390 mm)
D. Shoe Width	31.5" (800 mm)



WORKING RANGES

SK300LC-10 LR

Long Reach Attachment	62' (18,898 mm)
Boom	34' 11" (10,607 mm)
Arm	25' 10" (7,880 mm)
a. Max Digging Reach	63' 1" (19,230 mm)
b. Max Digging Reach at Ground Level	62' 9" (19,120 mm)
c. Max Digging Depth	48' 10" (14,900 mm)
d. Max Digging Height	49' 10" (15,190 mm)
e. Max Dump Clearance	41' 4" (12,590 mm)
f. Minimum Dump Clearance	5' 9" (1,760 mm)
g. Max Vertical Wall Digging Depth	47' (14,330 mm)
h. Minimum Swing Radius	20' 2" (6,160 mm)
i. Horizontal Digging Stroke at Ground Level	47' 10" (14,580 mm)
j. Digging Depth for 8' (2.4 m) Flat Bottom	48' 5" (14,750 mm)

BUCKET SELECTION CHART

Capacity (SAE)

Width

Bucket Weight

Boom / Arm 34' 11" (10.61 m) / 25' 10" (7.88 m)

Ditch

0.62 yd³ (0.47 m³)

62" (1.58 m)

992 lbs (450 kg)

M

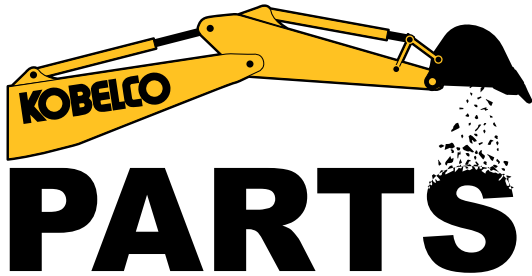
M - Used with material weight up to 3,000 lbs/yd³ (1,134 kg/m³)



NEXT EVOLUTION OF EFFICIENCY

Since 1930, we've built KOBELCO excavators to be leaders in the industry, adding innovation to our machines at every turn. Our latest machines build on that legacy.

Our Generation 10 machines offer a 7% increase in work volume per hour compared to their predecessors – all while providing up to a 10% decrease in fuel consumption in S-mode and a further 6% decrease in Eco-mode. Plus, with a higher boom foot cross-section and thicker arm foot base, you can lift heavier loads with complete confidence.



THE PERFECT PARTS FOR THE JOB

Don't risk it with second hand parts when you can have KOBELCO Genuine Parts shipped the next day. Designed and manufactured to factory specification, they're guaranteed to maintain the quality, power and efficiency of your machine. Just make one call to your local KOBELCO dealer and we'll have parts dispatched from our Katy, TX warehouse to wherever you need them.



EXCLUSIVE FINANCING FOR KOBELCO EXCAVATORS

KOBELCO Financial Services is committed to help you get the machine you need to boost your business's productivity and profitability. From our Fair Market Value lease to loans with low monthly payments, we'll design a solution that works for you.



BACKED BY KO-PRO WARRANTY

We build our excavators to such exacting standards, we can back them with the strongest warranty in the industry. All models come with a standard full three year or 3,000 hour KO-PRO warranty.* Models from the SK75 and up also include three full years of KOMEXS machine monitoring. That's serious protection for nearly every component in your excavator.

**SK17-SK850; severe duty applications may not apply*



EXTENDED COVERAGE FOR ADDED PEACE OF MIND

With the KOBELCO Premium Protection Plan, you can mix and match coverage options to create a personalized package that best fits your operation. With zero deductible, you never need to worry about out-of-pocket expenses or residual billing for a repair performed right in the field.



KNOW WHEN YOU NEED SERVICE

Our KOMEXS telematics service provides warning alerts when your machine needs service and offers easy access to all your maintenance history. From anywhere you have Internet access, you can see where your machines are located at any given time along with their work status, total operating hours and fuel consumption. KOMEXS is included for the length of any warranty term on our mid- and full-size excavators, or it's available as a standalone service.