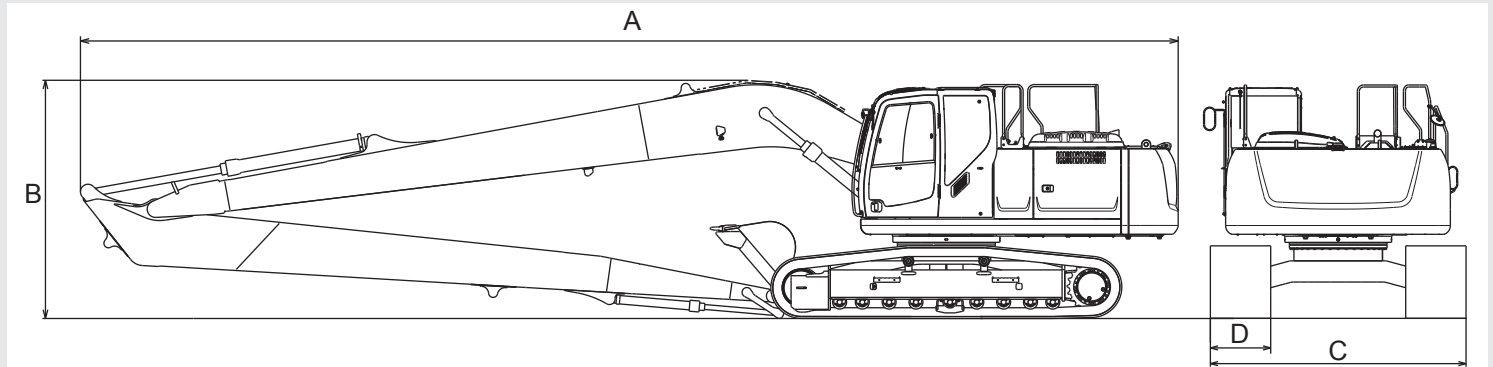


SK210_{LC}
SK210LC-9 LR

SK260_{LC}
SK260LC-9 LR

■ Main Specifications



Model		SK210LC-9 LR	SK260LC-9 LR
Long reach attachment		50ft	60ft
Engine		HINO J05E-TI	HINO J05E-TI
Rated power output (SAE NET)	hp{kW} / rpm	157 {117} / 2,000	176{131} / 2,100
Swing speed	rpm	12.5	10.2
Operating weight	lbs {kg}	52,000 {23,600}	60,400 {27,400}
Ground pressure	psi {kPa}	5.4 {37}	6.0 {41}
A. Overall length	ft-in {mm}	41'6" {12,640}	47'8" {14,520}
B. Overall height	ft-in {mm}	10'2" {3,100}	10'4" {3,150}
C. Overall width	ft-in {mm}	10'5" {3,180}	11'1" {3,390}
D. Shoe width	ft-in {mm}	31.5" {800}	31.5" {800}

■ Working Ranges

Unit: ft-in

	SK210LC-9 LR	SK260LC-9 LR
	50ft	60ft
Boom	28'8"	33'11"
Range	20'10"	27'1"
a- Max. digging reach	51'11"	60'10"
b- Max. digging reach at ground level	51'7"	60'6"
c - Max. digging depth	39'5"	48'4"
d- Max. digging height	45'7"	47'10"
e- Max. dumping clearance	37'10"	40'5"
f - Min. dumping clearance	6'10"	5'2"
g- Max. vertical wall digging depth	36'8"	40'5"
h- Min. swing radius	15'6"	18'4"
i - Horizontal digging stroke at ground level	38'1"	48'5"
j - Digging depth for 2.4 m (8') flat bottom	39'1"	47'10"
Bucket capacity SAE heaped cu.yd.	0.6	0.5

