

# KOBELCO

Hydraulic Excavator

# -7 SERIES

# SK35SR

Performance  Design

■ **Bucket Capacity:**

0.07–0.16 cu.yd. SAE

■ **Engine Power:**

23.1 hp {17.2 kW} @ 2,400 rpm  
(SAE NET)

■ **Operating Weight:**

9,000–9,600 lb  
{4,080–4,350 kg}



Complies with the  
latest exhaust  
emission regulations



US EPA  
Tier IV Final

# Performance Design

## PERFORMANCE BY DESIGN

The next generation of KOBELCO excavators brings together superior performance and thoughtful design like never before.

Performance enhancements offer greater efficiency and productivity along with increased power and speed. Design improvements provide the ultimate in comfort and control.

KOBELCO refuses to compromise, creating machines that meet every challenge.





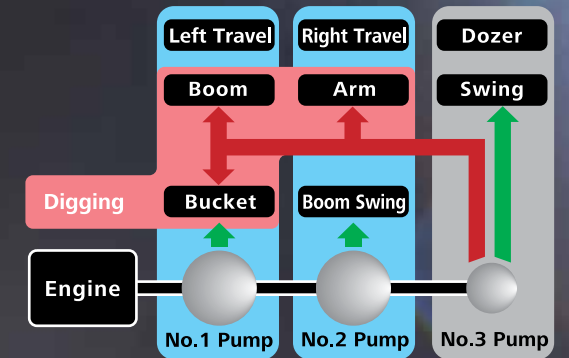


### Smooth Operation

Our superior hydraulic system contributes to outstanding leveling performance, which makes leveling work easy when heavier attachments are installed.

### Integrated-Flow Pump System

During the digging operation, depending upon job condition, the machine provides the additional flow to the boom, arm or bucket circuit, from No.3 pump (swing and dozer pump), to increase available input power to those functions.



# EXCEPTIONAL PERFORMANCE JUST GOT EVEN BETTER

### Superior Hydraulic System

Our high-quality hydraulic system realizes fast digging cycle time. Furthermore, in synergy with the bucket cylinder, it offers excellent performances without reducing the speed even when a heavy load is applied.

By replacing the bucket cylinder, the bucket digging force is increased.

»»» Bucket Digging Force

Raised by **16%**

(Compared to previous models)

The newly adopted ECO-mode saves even more energy.

»»» Fuel Consumption

Reduced by **24%**

(Compared to H-mode)





# FUNCTIONAL WORK ENVIRONMENT

Designed for operator comfort and convenience.



## Color Monitor

The new color monitor shows current and historical operating information in a clear and easy-to-operate format.



## Auxiliary Hydraulic Flow

Nibbler/breaker and rotation hydraulic flow has 6 presets that can be adjusted to match your attachment.



## Maintenance Information



## Operation History



## Easy-Access Cab

The hinged door is adopted to provide large entrance space. Furthermore, the flip-up left console with integrated pilot control lock lever allows for easy entry and exit from the cab.



## Ergonomic Lever Angles

Operators can move levers horizontally without twisting their wrists, reducing fatigue.

## Proportional Hand Control for N&B (standard) or Rotation (optional)

Precise proportional controls are integrated into the joystick for ease of operation.



## Slide-Open Window

The right side window can slide open from the front or the back for increased ventilation and to hear ground workers when required.



## Radio (Bluetooth®, AUX and Hands-Free Phone Calls)



## Speaker



## 12V Power Outlet



## Coat Hook



## Cup Holder



## Utility Box



## LED Door Light



## Front Under Glass Holder



## Energy Conservation Mode

There are 2 working modes: one for maximum power, and ECO-mode for increased fuel economy.



## Auto Deceleration

Auto deceleration saves fuel and lowers engine noise by lowering engine speed to idle.



# UNFORGETTABLE COMFORT

True ergonomic functionality combined with modern design has resulted in a cabin interior that is sleek and comfortable.



## Suspension Seat

The newly designed seat comes standard with suspension, recline, forward/back functions giving best-in-class comfort.

## Wrist Rests

The larger ergonomic designed wrist rests keep the operator's forearms in a stable position, reducing fatigue, and allowing for improved operation.



## Air Conditioner

Multiple air vents to provide uniform airflow to the front and back of the operator as well as to the windows to provide fast defrosting functions.



## LED Illumination

Dials and buttons are now backlit to provide a bright, clear view in any lighting condition.



## Smartphone Holder/ USB/AUX Port



# COMPACT, YET, BIG PERFORMANCE

Compact Boom Swing Radius Tail Swing Radius

6'4" {1,940 mm}

33.5" {850 mm}

## Short Tail Swing

The compact tail swing improves operating efficiency in limited space.

## Tail Overhang\*

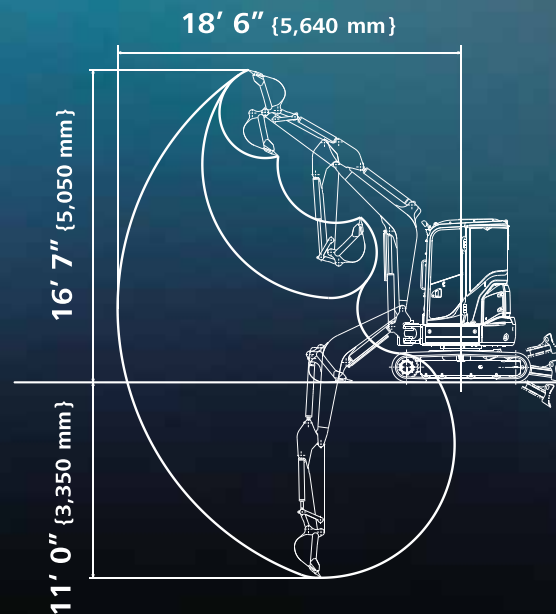
\*The rear view mirror is not included in the figures below.

**0.0"** {0 mm}

(Without additional counterweight)

**4.0"** {90 mm}

(With additional counterweight)



Arm length 5' 6" {1.67 m}

Figures above show the value for cab.

## Wide Working Range

Long arms are provided as option equipment to ensure a wide working range.

## Easy Transportability

With an overall cab height of 8' 4" {2,550 mm}, the machine is designed for easy transport.



Overall Height 8' 4" {2,550 mm}

# VERSATILITY



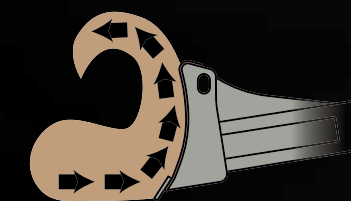
## Dozer Lever

The new ergonomic dozer lever has float integrated into the handle for easier dozer functions.



## Dozer-Blade Shape

KOBELCO's unique blade design forms the earth into an arc that always falls forward. Because this prevents earth from falling behind the blade, leveling can be done with less passes.



## 4-Way Blade (optional)

Built-in the same durability as the standard blade, this 4-way option provides 25 to 25 degrees of left and right angle movement for clearing, grading and back-filling. The 4-way dozer gives you better control for following changing terrain.



## Floating Dozer

Dozer float is standard to assist in easier leveling work.



# RELIABLE CONSTRUCTION

The boom, arm and swing bracket all have large cross-section segments for added attachment strength.



## Plate Type Pin

Plate type pin retainers prevent wear by rotation of the pin itself. Thick swing bracket.

## Forged Boom Top



## Idler Link

Cast-iron idler links provide greater strength.



## Dozer

Box construction dozer supports provide greater strength.



## Swing Bracket

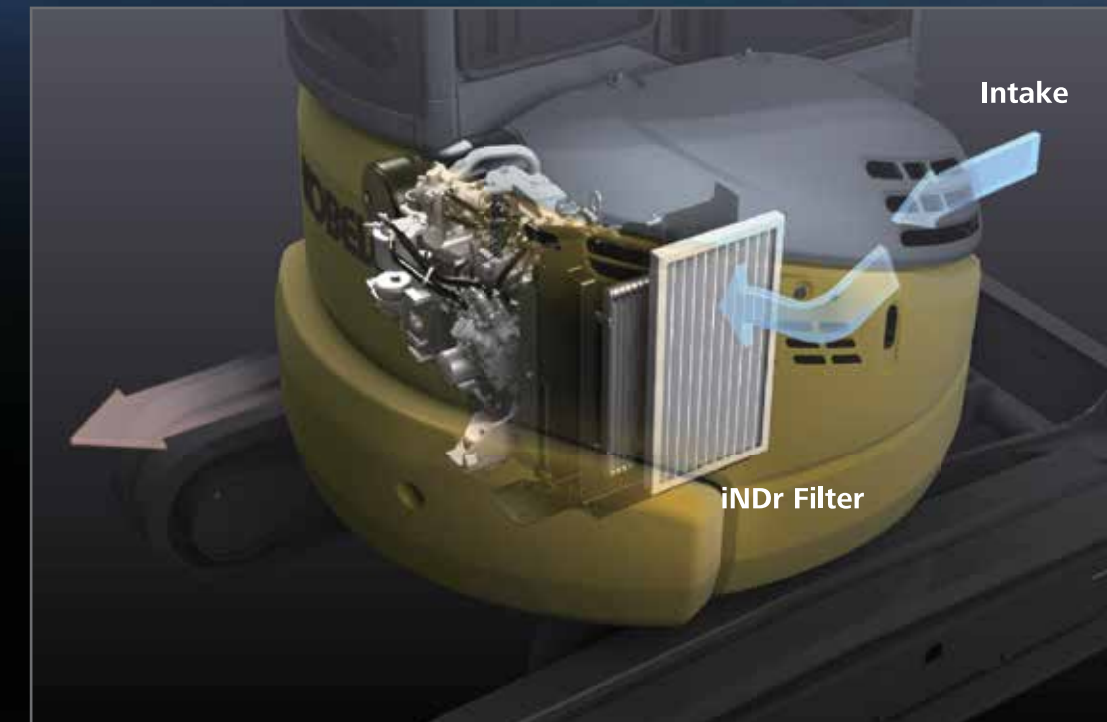
Large thick cast-iron swing bracket/front bracket.



## Hydraulic Piping

The hydraulic piping is housed inside the swing bracket for protection.

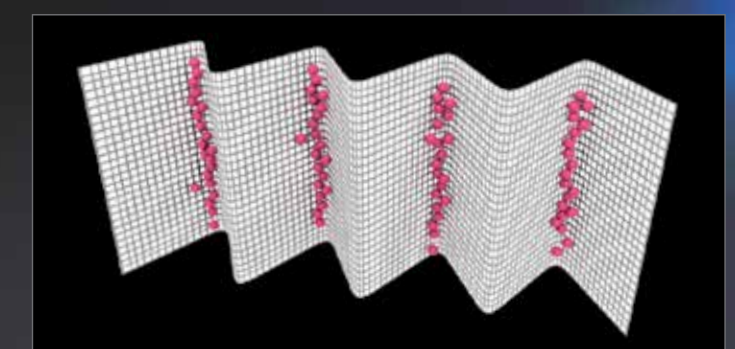
# NON-STOP OPERATION BY iNDr



## iNDr

A high-density mesh filter blocks dust intruding during air intake. This prevents the cooling device and the air cleaner from clogging with dust and maintains their performances. The ridges of the corrugated filter allow the air to pass through, and the grooves collect the dust, which prevents the filter from clogging.

KOBELCO's exclusive iNDr Cooling System also delivers amazingly quiet operation.



The iNDr filter has a high-density mesh of 30 lines per inch to collect dust.



# EASY MAINTENANCE

Easy daily maintenance that saves the trouble of inspection and cleaning.



## Easy Access to Component Inside the Cab



Hour Meter



Cab Fresh Air Intake Filter



Cab Re-Circulation Air Filter



Operator Manual Storage Pockets



## Easy Access to Cooling Unit



iNDR Filter

Laid out for easy access to radiator and cooling system.

## Easy Access to Engine Compartment



① Pre Fuel Filter with Built-In Water Separator

② Air Cleaner

③ High-Grade Fuel Filter



# OPERATOR SAFETY



## Robust Cab/Canopy Structure

The high-strength cab/canopy meets ISO 3471:2008, ISO 12117-2:2008 standards for greater operator safety.



Boom Light



Forward and Left-Facing LED Light (Canopy)



Forward and Left-Facing LED Light (Cab)



## LED Work Lights

Changed from halogen light to LED light for more brightness. The boom light position has been changed to improve nighttime visibility. New left-facing lights on the cab top and canopy hand rail to improve visibility on the left side of the operator.



Rear View Mirror



Hammer for Emergency Exit

## Good Visibility

The wiper mount has been moved to the upper right of the cab support and the skylight opening has been enlarged, improving visibility to the front and above.



## Accumulator for Emergency Attachment Lowering

An installed accumulator allows the attachment to be safely lowered to the ground using in-cab controls in the event of an unexpected engine shut-down and class leading smooth operation.



# Specifications

## Engine

| Model              | YANMAR 3TNV88F-EPYBD  |
|--------------------|---|
| Type               | Direct injection, water-cooled, 4-cycle diesel engine with turbocharger, intercooler, Tier IV Final certified |
| No. of cylinders   | 3   |
| Bore and stroke    | 3.5" x 3.5" (88 mm x 90 mm)   |
| Displacement       | 100.2 cu.in (1,642 ml)  |
| Rated power output | 23.1 hp {17.2 kW}/2,400 rpm (SAE NET)<br>24.4 hp {18.2 kW}/2,400 rpm (Without fan)                            |
| Max. torque        | 64.8 lb-ft (87.8 N·m)/1,440 rpm (Without fan)   |

## Hydraulic System

| Pump                 |   |
|----------------------|---|
| Type                 | Two Variable displacement piston pumps + one gear pump        |
| Max. discharge flow  | 2 x 10.1 gpm (2 x 38.4 L/min)<br>1 x 5.1 gpm (1 x 19.2 L/min) |
| Relief valve setting |   |
| Boom, arm and bucket | 3,340 psi (23.0 MPa)  |
| Travel circuit       | 3,340 psi (23.0 MPa)  |
| Swing/Dozer circuit  | 2,900 psi (20.0 MPa)  |
| Control circuit      | 510 psi (3.5 MPa)   |
| Pilot control pump   | Gear type   |
| Main control valves  | 10-spool  |
| Oil cooler           | Air cooled type   |

## Swing System

|               |  |
|---------------|--|
| Swing motor   | One fixed displacement piston motor  |
| Brake         | Hydraulic; locking automatically when the swing control lever is in the neutral position |
| Parking brake | Wet multiple plate   |
| Swing speed   | 8.2 rpm (8.2 min <sup>-1</sup> )   |
| Swing torque  | 5,160 lb-ft (7.0 kN·m)   |

## Hydraulic P.T.O.

| Specification | Output       | Maximum pressure psi (MPa) | Max. flow U.S. gpm, (lpm) (0 pressure) |
|---------------|--------------|----------------------------|--|
|               |              |                            | 2,400 rpm                              |
| N&B           | 3,340 (23.0) |                            | 15.2 (57.6)                            |
| Rotary        | 3,340 (23.0) |                            | 5.1 (19.2)                             |

## Operating Weight & Ground Pressure

In standard trim, with standard boom, 5'6" (1.67 m) arm, and 0.13 cu.yd. (0.10 m<sup>3</sup>) ISO heaped bucket

| Shaped                   |            | Grouser tracks |               | Rubber tracks |               |
|--------------------------|------------|----------------|---------------|---------------|---------------|
|                          |            | Cab            | Canopy        | Cab           | Canopy        |
| Shoe width               | ft-in (mm) | 11.8" (300)    |               |               |               |
| Overall width of crawler | ft-in (mm) | 5'7" (1,700)   |               |               |               |
| Ground pressure          | psi (kPa)  | 5.5 (38.1)     | 5.3 (36.8)    | 5.4 (37.2)    | 5.2 (35.8)    |
| Operating weight         | lb (kg)    | 9,600 (4,350)  | 9,250 (4,200) | 9,340 (4,240) | 9,000 (4,080) |

## Travel System

|                       |   |
|-----------------------|---|
| Travel motors         | Variable displacement piston, two-speed motors                                      |
| Travel brakes         | Hydraulic brake   |
| Parking brakes        | Wet multiple plate  |
| Travel shoes          | 88 each side  |
| Travel speed          | 1.6/2.7 mph (2.5/4.4 km/h) (rubber shoe)<br>1.5/2.7 mph (2.4/4.3 km/h) (steel shoe) |
| Drawbar pulling force | 8,520 lbs (37.9kN) (Cab)<br>8,540 lbs (38.0kN) (Canopy)                             |
| Gradeability          | 58% (30°)   |

## Cab & Control

| Cab  |
|--|
| All-weather, insulated floor mat.              |
| Control  |
| Two hand levers and two foot pedals for travel |
| Two hand levers for excavating and swing       |
| Electric rotary-type engine throttle           |

## Boom, Arm & Bucket

| Model           | Cab                           | Canopy                        |
|-----------------|-------------------------------|-------------------------------|
| Boom cylinder   | 3.3" (85 mm) x 22.9" (582 mm) | 3.3" (85 mm) x 23.1" (588 mm) |
| Arm cylinder    | 3.1" (80 mm) x 26.7" (677 mm) |                               |
| Bucket cylinder | 2.8" (70 mm) x 20.0" (507 mm) |                               |

## Dozer Blade

|                |  |
|----------------|--|
| Dozer cylinder | 3.5" (90 mm) x 7.1" (180 mm)                         |
| Dimension      | 5'7" (1,700 mm) (width)<br>x 13.6" (345 mm) (height) |
| Working range  | 18.5" (470 mm) (up) x 15.4" (390 mm) (down)          |

## Refilling Capacities & Lubrications

|                       |   |
|-----------------------|---|
| Fuel tank             | 11.1 U.S.gal (42.0 L)   |
| Cooling system        | 1.0 U.S.gal (3.8 L)   |
| Engine oil            | 1.8 U.S.gal (6.7 L)   |
| Travel reduction gear | 2 x 0.2 U.S.gal (0.6 L)   |
| Hydraulic oil tank    | 5.4 U.S.gal (20.4 L): Tank oil level<br>11.8 U.S.gal (44.8 L): Hydraulic system |

## Working Ranges

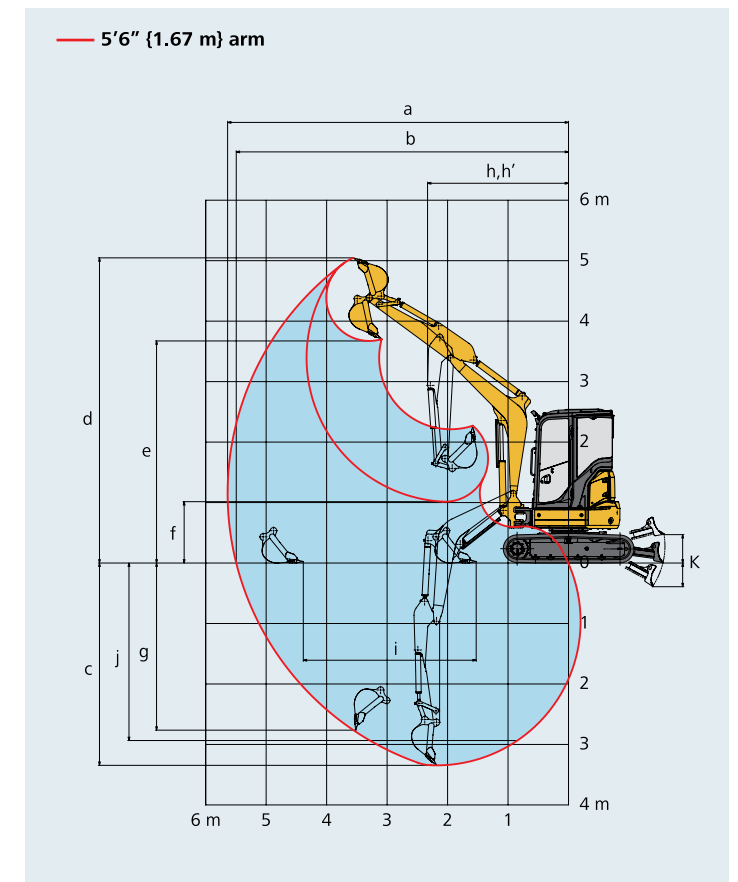
| Model  | SK35SR                  |               |
|--|-------------------------|---------------|
|  | Cab                     | Canopy        |
| Boom   | 8'1" (2.47 m)           |               |
| Range  | Long 5'6" (1.67m)       |               |
| a- Max. digging reach                        | 18'6" (5,640)           |               |
| b- Max. digging reach at ground level        | 18'0" (5,490)           |               |
| c- Max. digging depth                        | 11'0" (3,350)           | 10'9" (3,270) |
| d- Max. digging height                       | 16'7" (5,050)           | 17'2" (5,240) |
| e- Max. dumping clearance                    | 12'0" (3,670)           | 12'8" (3,850) |
| f- Min. dumping clearance                    | 3'4" (1,010)            | 3'7" (1,100)  |
| g- Max. vertical wall digging depth          | 9'1" (2,760)            |               |
| h- Min. swing radius                         | 7'8" (2,330)            | 7'3" (2,220)  |
| h'-Min. swing radius at boom swing           | 6'4" (1,940)            | 6'0" (1,840)  |
| i- Horizontal digging stroke at ground level | 9'5" (2,860)            |               |
| j- Digging depth for 8' (2.4 m) flat bottom  | 9'7" (2,930)            | 9'5" (2,860)  |
| k- Dozer blade (height/depth)                | 18.5" (470)/15.4" (390) |               |

## Digging Force (ISO 6015)

| Arm length                            |     | Long 5'6" (1.67m) |
|---------------------------------------|-----|-------------------|
| Bucket digging force                  | SAE | 6,290 (28.0)      |
|                                       | ISO | 7,240 (32.2)      |
| Bucket digging force (Two pin bucket) | SAE | 8,660 (38.5)      |
|                                       | ISO | 9,960 (44.3)      |
| Arm crowding force                    | SAE | 4,200 (18.7)      |
|                                       | ISO | 4,380 (19.5)      |

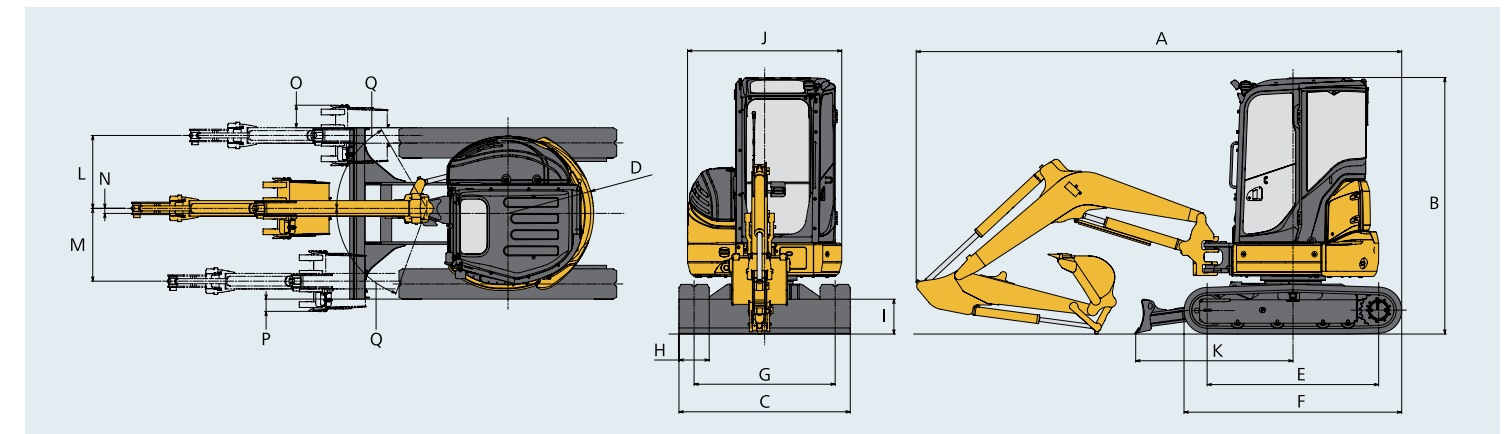
## Dimensions

| Arm length                                    | Long 5'6" (1.67m)         |
|---|---------------------------|
| A Overall length                              | 16'0" (4,870)             |
| B Overall height (Cab/Canopy)                 | 8'4" (2,550)/8'3" (2,510) |
| C Overall width                               | 5'7" (1,700)              |
| D Tail swing radius (less/ Additional weight) | 33.5" (850)/37.0" (940)   |
| E Tumbler distance                            | 5'7" (1,700)              |
| F Overall length of crawler                   | 7'1" (2,160)              |
| G Track gauge                                 | 4'7" (1,400)              |
| H Shoe width                                  | 11.8" (300)               |



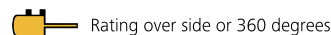
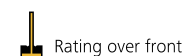
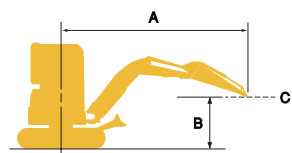
|   |              |
|---|--------------|
| I Ground clearance                                    | 9.4" (240)   |
| J Overall width of upperstructure                     | 5'0" (1,530) |
| K Distance from dozer top to center of upperstructure | 5'1" (1,560) |
| L Boom offset volume (right)                          | 28.5" (725)  |
| M Boom offset volume (left)                           | 28.3" (720)  |
| N Offset volume of boom center                        | 2.0" (50)    |
| O Digging distance outside crawler shoe (right)       | 6.9" (175)   |
| P Digging distance outside crawler shoe (left)        | 2.8" (70)    |
| Q Boom swing angle (left /right)                      | 70°/60°      |

\*11.8" (300 mm) Rubber tracks.





# Lift Capacities



A - Reach from swing centerline for bucket hook  
 B - Bucket hook height above/below ground  
 C - Lift point  
 Relief valve setting : 3,340 psi (23.0 MPa)

## MEMO

| SK35SR Cab  |         |                   |                                 |                   |                                 |                   |                                 |                   |                                 |                   |                                 |                 |
|---|---------|-------------------|---------------------------------|-------------------|---------------------------------|-------------------|---------------------------------|-------------------|---------------------------------|-------------------|---------------------------------|-----------------|
| Arm: 5'6" {1.67 m} Bucket: Without Shoe: 11.8" {300 mm} Counterweight: Standard counterweight + 550 lb {250 kg} Dozer: Blade down |         |                   |                                 |                   |                                 |                   |                                 |                   |                                 |                   |                                 |                 |
| A   |         | 3'3" {1.0 m}      |                                 | 6'7" {2.0 m}      |                                 | 9'10" {3.0 m}     |                                 | 13'1" {4.0 m}     |                                 | At max. reach     |                                 |                 |
|   |         | Rating over front | Rating over side or 360 degrees | Rating over front | Rating over side or 360 degrees | Rating over front | Rating over side or 360 degrees | Rating over front | Rating over side or 360 degrees | Rating over front | Rating over side or 360 degrees | Radius          |
| B   |         |                   |                                 |                   |                                 |                   |                                 |                   |                                 |                   |                                 |                 |
| 13'1" {4.0 m}   | lb {kg} |                   |                                 |                   |                                 |                   |                                 |                   |                                 | *1,590 {720}      | *1,590 {720}                    | 12'3" {3.74 m}  |
| 9'10" {3.0 m}   | lb {kg} |                   |                                 |                   |                                 |                   |                                 | *1,490 {670}      | 1,470 {660}                     | *1,540 {690}      | 1,210 {550}                     | 14'8" {4.47 m}  |
| 6'7" {2.0 m}  | lb {kg} |                   |                                 |                   |                                 | *1,930 {870}      | *1,930 {870}                    | *1,670 {760}      | 1,420 {640}                     | *1,510 {680}      | 1,050 {470}                     | 15'10" {4.83 m} |
| 3'3" {1.0 m}  | lb {kg} |                   |                                 |                   |                                 | *2,790 {1,260}    | 2,050 {930}                     | *1,990 {900}      | 1,360 {610}                     | *1,590 {720}      | 1,000 {450}                     | 16'1" {4.92 m}  |
| G.L.  | lb {kg} |                   |                                 | *3,630 {1,640}    | 3,600 {1,630}                   | *3,310 {1,500}    | 1,950 {880}                     | *2,210 {1,000}    | 1,310 {590}                     | *1,760 {800}      | 1,030 {470}                     | 15'7" {4.75 m}  |
| -3'3" {-1.0 m}  | lb {kg} | *4,110 {1,860}    | *4,110 {1,860}                  | *5,890 {2,670}    | 3,620 {1,640}                   | *3,260 {1,480}    | 1,920 {870}                     | *2,130 {960}      | 1,300 {590}                     | *1,850 {840}      | 1,190 {540}                     | 14'1" {4.29 m}  |
| -6'7" {-2.0 m}  | lb {kg} | *6,780 {3,070}    | *6,780 {3,070}                  | *4,240 {1,920}    | 3,720 {1,690}                   | *2,430 {1,100}    | 1,980 {900}                     |                   |                                 | *1,880 {850}      | 1,680 {760}                     | 11'1" {3.39 m}  |

| SK35SR Canopy   |         |                   |                                 |                   |                                 |                   |                                 |                   |                                 |                   |                                 |                 |
|---|---------|-------------------|---------------------------------|-------------------|---------------------------------|-------------------|---------------------------------|-------------------|---------------------------------|-------------------|---------------------------------|-----------------|
| Arm: 5'6" {1.67 m} Bucket: Without Shoe: 11.8" {300 mm} Counterweight: Standard counterweight + 550 lb {250 kg} Dozer: Blade down |         |                   |                                 |                   |                                 |                   |                                 |                   |                                 |                   |                                 |                 |
| A   |         | 3'3" {1.0 m}      |                                 | 6'7" {2.0 m}      |                                 | 9'10" {3.0 m}     |                                 | 13'1" {4.0 m}     |                                 | At max. reach     |                                 |                 |
|   |         | Rating over front | Rating over side or 360 degrees | Rating over front | Rating over side or 360 degrees | Rating over front | Rating over side or 360 degrees | Rating over front | Rating over side or 360 degrees | Rating over front | Rating over side or 360 degrees | Radius          |
| B   |         |                   |                                 |                   |                                 |                   |                                 |                   |                                 |                   |                                 |                 |
| 13'1" {4.0 m}   | lb {kg} |                   |                                 |                   |                                 |                   |                                 |                   |                                 | *1,590 {720}      | 1,560 {710}                     | 12'3" {3.74 m}  |
| 9'10" {3.0 m}   | lb {kg} |                   |                                 |                   |                                 |                   |                                 | *1,490 {670}      | 1,410 {640}                     | *1,540 {690}      | 1,160 {530}                     | 14'8" {4.47 m}  |
| 6'7" {2.0 m}  | lb {kg} |                   |                                 |                   |                                 | *1,930 {870}      | *1,930 {870}                    | *1,670 {760}      | 1,370 {620}                     | *1,510 {680}      | 1,010 {450}                     | 15'10" {4.83 m} |
| 3'3" {1.0 m}  | lb {kg} |                   |                                 |                   |                                 | *2,790 {1,260}    | 1,970 {890}                     | *1,990 {900}      | 1,300 {590}                     | *1,590 {720}      | 960 {430}                       | 16'1" {4.92 m}  |
| G.L.  | lb {kg} |                   |                                 | *3,630 {1,640}    | 3,450 {1,560}                   | *3,310 {1,500}    | 1,870 {850}                     | *2,210 {1,000}    | 1,250 {570}                     | *1,760 {800}      | 990 {450}                       | 15'7" {4.75 m}  |
| -3'3" {-1.0 m}  | lb {kg} | *4,110 {1,860}    | *4,110 {1,860}                  | *5,890 {2,670}    | 3,480 {1,570}                   | *3,260 {1,480}    | 1,850 {840}                     | *2,130 {960}      | 1,240 {560}                     | *1,850 {840}      | 1,130 {510}                     | 14'1" {4.29 m}  |
| -6'7" {-2.0 m}  | lb {kg} | *6,780 {3,070}    | *6,780 {3,070}                  | *4,240 {1,920}    | 3,580 {1,620}                   | *2,430 {1,100}    | 1,900 {860}                     |                   |                                 | *1,880 {850}      | 1,610 {730}                     | 11'1" {3.39 m}  |

- Note:**
- Do not attempt to lift or hold any load that is greater than these lift capacities at their specified lift point radius and heights. Weight of all accessories must be deducted from the above lift capacities.
  - Lift capacities are based on machine standing on level, firm, and uniform ground. User must make allowance for job conditions such as soft or uneven ground, out of level conditions, side loads, sudden stopping of loads, hazardous conditions, experience of personnel, etc.
  - Bucket pin attachment point defined as lift point.
  - The above lift capacities are in compliance with ISO 10567. They do not exceed 87% of hydraulic lift capacity or 75% of tipping load. Lift capacities marked with an asterisk(\*) are limited by hydraulic capacity rather than tipping load.
  - Operator should be fully acquainted with the Operator's and Maintenance Instructions before operating this machine. Rules for safe operation of equipment should be adhered to at all times.
  - Lift capacities apply to only machine as originally manufactured and normally equipped by KOBELCO CONSTRUCTION MACHINERY CO., LTD.



# Standard and Optional Equipment

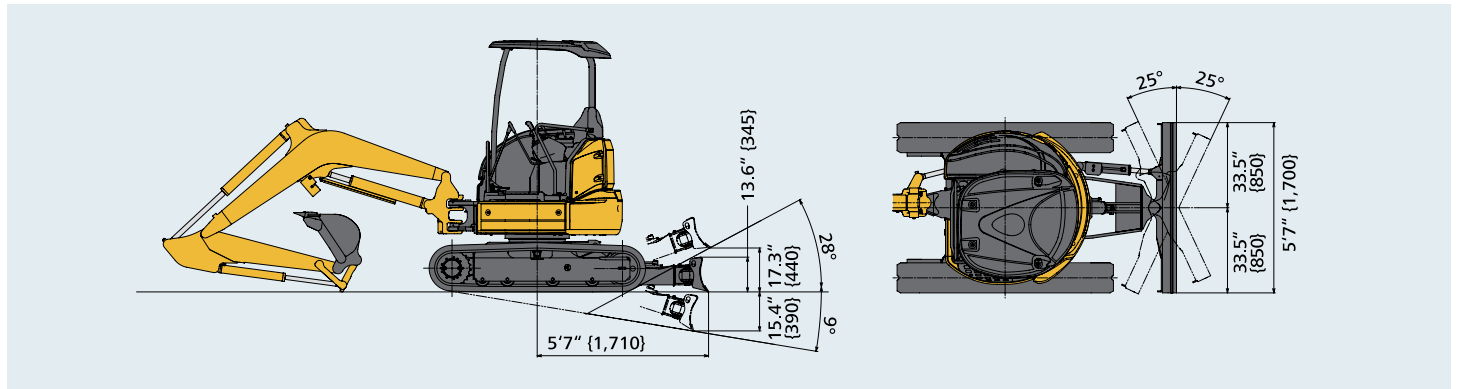
● =Std ○ =Opt

| Category                 | Description  | SK35SR-7 |
|--------------------------|--|----------|
| <b>Engine</b>            | YANMAR 3TNV88F (Tier IV Final certified)   | ●        |
|                          | Auto deceleration function   | ●        |
| <b>Hydraulic system</b>  | 2 work modes H, Eco  | ●        |
|                          | Bi-direction (proportional hand control) and single-direction auxiliary hydraulics (nibbler and breaker) | ●        |
|                          | Rotation hydraulics with proportional hand control*  | ○        |
|                          | Remote N&B pressure relief adjustment  | ●        |
|                          | Hydraulic flow adjustment  | ●        |
|                          | Hydraulic oil VG46   | ●        |
| <b>Cabin</b>             | Suspension seat (PVC)  | ●        |
|                          | Multi-function color display   | ●        |
|                          | LED door light**   | ●        |
|                          | Automatic climate control**  | ●        |
|                          | Radio (AM/FM, AUX, USB, Bluetooth® and hands-free telephone)**   | ●        |
|                          | 12V power outlet   | ●        |
|                          | 3 LED work lights ; 1 on boom, 1 on front, 1 on left   | ●        |
| <b>Working equipment</b> | Standard boom 8'1" {2.47 m}  | ●        |
|                          | Long arm 5'6" {1.67 m} with thumb bracket  | ●        |
| <b>Counterweight</b>     | Standard C/W 1,440 lb {660 kg} and Additional bolt on C/W 550 lb {250 kg}                                | ●        |
| <b>Undercarriage</b>     | 11.8" {300 mm} rubber tracks   | ●        |
|                          | 11.8" {300 mm} double grouser shoe   | ○        |
|                          | Dozer blade with float   | ●        |
|                          | Angle dozer blade with float*  | ○        |
|                          | Lower swivel guard   | ●        |
| <b>Safety</b>            | ROPS compliant canopy (ISO 3471:2008, ISO 12117-2:2008)  | ●        |
|                          | ROPS compliant cab (ISO 3471:2008, ISO 12117-2:2008)   | ○        |
|                          | Mesh-type front guard for canopy (OPG Level I)   | ○        |
|                          | Mesh-type front guard for cab (OPG Level I)  | ○        |
|                          | Mesh-type top guard for cab  | ○        |
|                          | 3-inch retractable seatbelt  | ○        |
|                          | Travel alarm   | ●        |
|                          | Left rear view mirror  | ●        |
|                          | Hose burst valve for boom and arm cylinder   | ○        |
| <b>Others</b>            | ISO to BHL pattern changer   | ●        |
|                          | Arm and bucket cylinder rod guard  | ○        |
|                          | Double Air Filter Element  | ●        |

\*May not be ordered with combination Rotation and Angle dozer blade with float. \*\* Only for Cab.

## 4-Way Blade

Unit: ft-in {mm}



Note: Bluetooth® is a registered trademark of the Bluetooth SIG Inc.

Note: This catalog may contain attachments and optional equipment that are not available in your area. And it may contain photographs of machines with specifications that differ from those of machines sold in your areas. Please consult your nearest KOBELCO distributor for those items you require. Due to our policy of continuous product improvements all designs and specifications are subject to change without advance notice.

Copyright by **KOBELCO CONSTRUCTION MACHINERY CO., LTD.** No part of this catalog may be reproduced in any manner without notice.

## KOBELCO CONSTRUCTION MACHINERY U.S.A. INC.

22350 Merchants Way, Katy, TX 77449  
Tel: 281-888-8430 Fax: 281-506-8713  
www.KOBELCO-USA.com

Inquiries To:

**KOBELCO** is the corporate mark used by Kobe Steel on a variety of products and in the names of a number of Kobe Steel Group companies.

Bulletin No. SK35SR-7\_NA\_101\_230400N