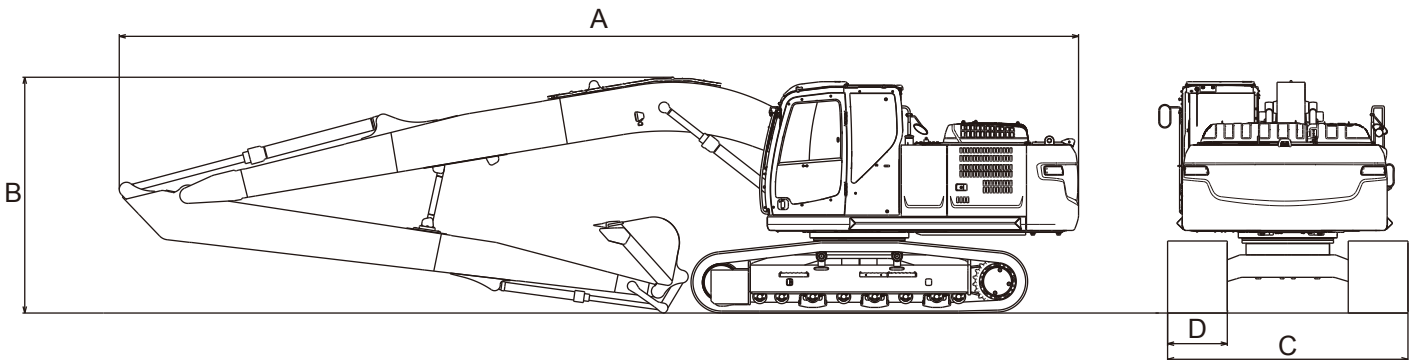


■ Main Specifications

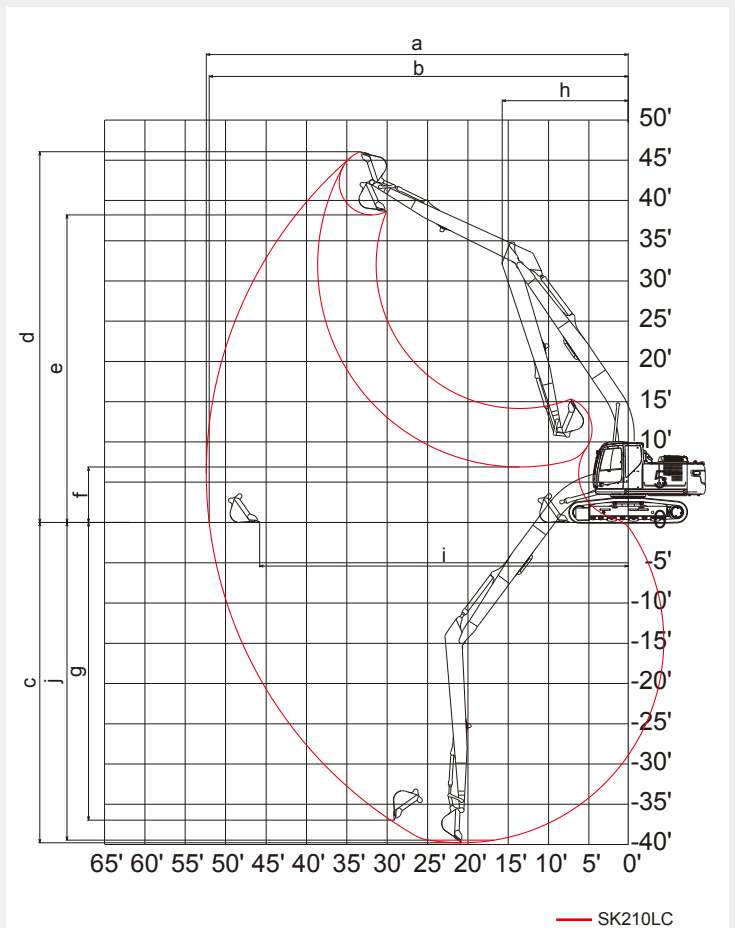


Model	SK210LC	
Long reach attachment	50ft	
Engine	HINO J05E-UM	
Rated power output (SAE NET)	hp{kW} / rpm	160{119} / 2,000
Swing speed	rpm	12.7
Operating weight	lbs {kg}	52,200 {23,700}
Ground pressure	psi {kPa}	5.4 {37}
A. Overall length	ft-in {mm}	41'8" {12,690}
B. Overall height	ft-in {mm}	10'3" {3,120}
C. Overall width	ft-in {mm}	10'5" {3,180}
D. Shoe width	in {mm}	31.5" {800}

■ Working Ranges

Unit: ft-in

		SK210LC
		50ft
Boom		28'8"
Range	Arm	20'10"
a - Max. digging reach		51'11"
b - Max. digging reach at ground level		51'7"
c - Max. digging depth		39'5"
d - Max. digging height		45'7"
e - Max. dumping clearance		37'10"
f - Min. dumping clearance		6'10"
g - Max. vertical wall digging depth		36'8"
h - Min. swing radius		15'6"
i - Horizontal digging stroke at ground level		38'1"
j - Digging depth for 2.4 m (8') flat bottom		39'1"



LONG REACH ATTACHMENT

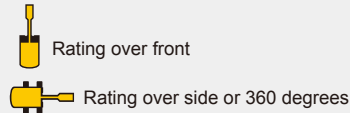
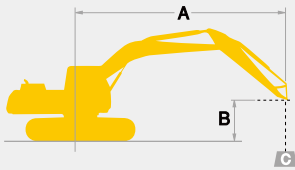
SK210_{LC}
SK210LC-10

Bucket Selection Chart

Bucket type	Capacity (SAE) Cubic Yard (m ³)	Width Inches (m)	Bucket Weight lb (kg)	Boom/Arm ft-in (m)	
				28'8" {8.75}	20'10" {6.35}
Ditch	.64 {.49}	48" {1.219}	860 {390}	L	
	.73 {.56}	54" {1.372}	900 {408}	L	
	.82 {.63}	60" {1.524}	966 {438}	L	

L - Used with material weight up to 2,000 lbs/cu yd (1,186 kg/m³)

Lifting Capacities



A – Reach from swing centerline for arm top
B – Bucket hook height above/below ground
C – Lifting capacities in pounds

SK210LC 50ft		Boom; 28'8", Arm; 20'10", Bucket; Less, Counterweight; 12,100 lbs, Shoe; 31.5"																						
B	A	5'		10'		15'		20'		25'		30'		35'		40'		45'		At Max. Reach				
		Rating over front	Rating over side or 360 degrees	Rating over front	Rating over side or 360 degrees	Rating over front	Rating over side or 360 degrees	Rating over front	Rating over side or 360 degrees	Rating over front	Rating over side or 360 degrees	Rating over front	Rating over side or 360 degrees	Rating over front	Rating over side or 360 degrees	Rating over front	Rating over side or 360 degrees	Rating over front	Rating over side or 360 degrees	Rating over front	Rating over side or 360 degrees	Radius		
40'	lb																				* 2,460	* 2,460	337"	
35'	lb														* 3,890	* 3,890						* 2,260	* 2,260	380"
30'	lb														* 4,790	* 4,790	* 3,150	* 3,150				* 2,150	* 2,150	415"
25'	lb														* 5,380	* 5,380	* 4,330	* 4,330				* 2,100	* 2,100	4311"
20'	lb														* 5,700	* 5,700	* 5,120	4,580	* 2,790	* 2,790	* 2,090	* 2,090	459"	
15'	lb											* 6,670	* 6,670	* 6,090	5,620	* 5,670	4,420	* 3,770	3,500	* 2,110	* 2,110	470"		
10'	lb			* 13,270	* 13,270	* 14,180	* 14,180	* 10,530	* 10,530	* 8,570	* 8,570	* 7,360	6,820	* 6,540	5,330	* 5,960	4,230	* 4,430	3,390	* 2,180	* 2,180	478"		
5'	lb					* 17,390	16,320	* 12,300	11,170	* 9,650	8,240	* 8,050	6,350	* 7,000	5,020	* 6,250	4,030	* 4,880	3,270	* 2,290	* 2,290	4710"		
GL	lb			* 4,710	* 4,710	* 11,510	* 11,510	* 13,630	10,200	* 10,540	7,620	* 8,660	5,940	* 7,400	4,740	6,210	3,850	* 5,020	3,160	* 2,440	* 2,440	475"		
-5'	lb	* 4,570	* 4,570	* 6,370	* 6,370	* 11,320	* 11,320	* 14,390	9,590	* 11,150	7,170	* 9,090	5,620	7,330	4,520	6,060	3,700	* 4,580	3,080	* 2,650	* 2,650	466"		
-10'	lb	* 6,600	* 6,600	* 8,390	* 8,390	* 12,750	* 12,750	* 14,600	9,270	* 11,410	6,890	8,870	5,400	7,170	4,370	5,960	3,610	* 3,050	* 3,050	* 2,960	* 2,960	450"		
-15'	lb	* 8,710	* 8,710	* 10,690	* 10,690	* 15,070	13,890	* 14,300	9,180	11,280	6,780	8,760	5,300	7,100	4,300	5,930	3,590			* 3,400	3,270	4211"		
-20'	lb	* 11,000	* 11,000	* 13,350	* 13,350	* 17,560	14,120	* 13,500	9,270	* 10,790	6,800	8,770	5,310	7,130	4,330	* 4,160	3,670			* 4,070	3,660	400"		
-25'	lb	* 13,570	* 13,570	* 16,540	* 16,540	* 15,460	14,530	* 12,110	9,500	* 9,750	6,960	* 7,910	5,450	* 6,270	4,490					* 5,210	4,320	363"		
-30'	lb			* 16,170	* 16,170	* 12,390	* 12,390	* 9,880	* 9,880	* 7,900	7,290	* 6,060	5,770							* 5,570	5,520	312"		
-35'	lb							* 6,180	* 6,180												* 4,670	* 4,670	241"	

Notes:

- Do not attempt to lift or hold any load that is greater than these lift capacities at their specified lift point radius and heights. Weight of all accessories must be deducted from the above lift capacities.
- Lift capacities are based on machine standing on level, firm, and uniform ground. User must make allowance for job conditions such as soft or uneven ground, out of level conditions, side loads, sudden stopping of loads, hazardous conditions, experience of personnel, etc.
- Arm bucket pin is defined as lift point.
- The above lifting capacities are in compliance with SAE J/ISO 10567. They do not exceed 87% of hydraulic lifting capacity or 75% of tipping load. Lifting capacities marked with an asterisk (*) are limited by hydraulic capacity rather than tipping load.
- Operator should be fully acquainted with the Operator's and Maintenance Instructions before operating this machine. Rules for safe operation of equipment should be adhered to at all times.
- Lift capacities apply to only machines as originally manufactured and normally equipped by KOBELCO CONSTRUCTION MACHINERY CO., LTD.

Note: This catalog may contain attachments and optional equipment that are not available in your area. And it may contain photographs of machines with specifications that differ from those of machines sold in your areas. Please consult your nearest KOBELCO distributor for those items you require. Due to our policy of continuous product improvements all designs and specifications are subject to change without advance notice. Copyright by **KOBELCO CONSTRUCTION MACHINERY CO., LTD.** No part of this catalog may be reproduced in any manner without notice.

KOBELCO CONSTRUCTION MACHINERY U.S.A. INC.

22350 Merchants Way, Katy, Texas 77449
<http://www.kobelco-usa.com/>

Inquiries To: