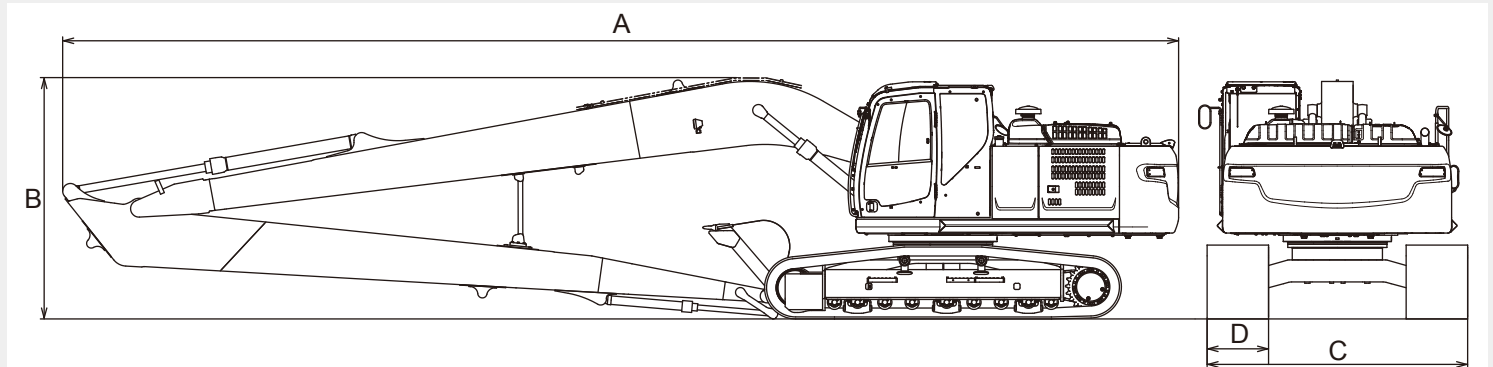


### Main Specifications



Model	SK260LC	
Long reach attachment	60ft	
Engine	HINO J05E-UN	
Rated power output (SAE NET)	hp{kW} / rpm	178 {133} / 2,100
Swing speed	rpm	9.2
Operating weight	lbs {kg}	62,000 {28,100}
Ground pressure	psi {kPa}	6.1 {42}
A. Overall length	ft-in {mm}	47'8" {14,520}
B. Overall height	ft-in {mm}	10'4" {3,140}
C. Overall width	ft-in {mm}	11'1" {3,390}
D. Shoe width	in {mm}	31.5" {800}

### Working Ranges

Unit: ft-in

		SK260LC
		60ft
Boom		33'11"
Range	Arm	27'1"
a- Max. digging reach		60'10"
b- Max. digging reach at ground level		60'6"
c - Max. digging depth		48'4"
d- Max. digging height		47'9"
e- Max. dumping clearance		40'5"
f - Min. dumping clearance		5'2"
g- Max. vertical wall digging depth		41'8"
h- Min. swing radius		18'4"
i - Horizontal digging stroke at ground level		48'5"
j - Digging depth for 2.4 m (8') flat bottom		47'10"

