

Standard and Optional Equipment

●=Std ○=Opt

Category	Description	SK230SRLC-7	SK270SRLC-7	
Engine	YANMAR 4TN107FTT (Tier IV Final certified)	●	●	
	Auto engine acceleration/deceleration	●	●	
	Auto Idle Stop	●	●	
Hydraulic system	3 work modes H, S, Eco	●	●	
	Power boost	●	●	
	Heavy lift mode	●	●	
	Hydraulic Pressure Release	●	●	
	Independent travel	●	●	
	Swing priority	●	●	
	Auto warm-up system	●	●	
	Bi-direction and single direction auxiliary (Nibbler/Breaker) with proportional hand control	●	●	
	Rotation hydraulics with proportional hand control	○	○	
	Hydraulic oil VG46	●	●	
	Cabin	Air suspension seat with heat	●	●
		10-inch color monitor	●	●
		LED door light	●	●
Automatic climate control		●	●	
Radio (AM/FM, AUX, USB, Bluetooth® and hands-free telephone)		●	●	
12V power outlet		●	●	
7 LED work lights: 2 on boom, 2 on cab front, 2 on rear counterweight, 1 on front right		●	●	
Working equipment	Standard HD boom 18'5" {5.62 m}	●	-	
	Standard HD boom 18'6" {5.65 m}	-	●	
	Standard HD arm 9'5" {2.87 m} with rock guard	●	-	
	Standard HD arm 9'8" {2.94 m} with rock guard	-	●	
	Long HD arm 10'11" {3.33 m} with rock guard	-	○	
Counter weight	Standard C/W 16,100 lb {7,310 kg} with swing flashers	●	●	
Undercarriage	31.1" {790 mm} triple grouser shoe	●	-	
	31.5" {800 mm} triple grouser shoe	-	●	
	Lower swivel guard	●	●	
Safety	Dozer blade with float	○	○	
	ROPS cab (ISO 12117-2:2008)	●	●	
	Tilt opening top cab guard (Top guard level II ISO 10262:1998)	●	●	
	Bar-type front guard (Front guard level II ISO 10262:1998)	○	○	
	Mesh-type front guard (Front guard level I ISO 10262:1998)	○	○	
	Engine emergency stop switch	●	●	
	3-inch retractable seat belt	●	●	
	Seatbelt indicator on display	●	●	
	Travel alarm	●	●	
	Swing flashers in counterweight	●	●	
	Left and right side mirrors	●	●	
	3-side 270-degree camera system	●	●	
	Hose burst valve for boom and arm cylinder	○	○	
	Others	Machine Guidance ready brackets	●	●
		Quick coupler piping ready brackets	●	●
ISO to BHL pattern changer		●	●	
Battery disconnect switch		●	●	
KOMEXS Machine Monitoring		●	●	
4 Year or 4,000 Hour Warranty		●	●	
Single pedal travel		○	○	

Note: Bluetooth® is a registered trademark of the Bluetooth SIG Inc.

Note: This catalog may contain attachments and optional equipment that are not available in your area. And it may contain photographs of machines with specifications that differ from those of machines sold in your areas. Please consult your nearest KOBELCO distributor for those items you require. Due to our policy of continuous product improvements all designs and specifications are subject to change without advance notice.

Copyright by KOBELCO CONSTRUCTION MACHINERY CO., LTD. No part of this catalog may be reproduced in any manner without notice.

KOBELCO CONSTRUCTION MACHINERY U.S.A. INC.

22350 Merchants Way, Katy, TX 77449
Tel: 281-888-8430 Fax: 281-506-8713
www.KOBELCO-USA.com

Inquiries To:

KOBELCO is the corporate mark used by Kobe Steel on a variety of products and in the names of a number of Kobe Steel Group companies.

Bulletin SK230-SK270SRLC-7 -NA-101-2212XEX

KOBELCO

Hydraulic Excavator

-7 SERIES

SK230SRLC SK270SRLC

Performance  Design

■ **Bucket Capacity:**

0.63–1.80 cu. yd. SAE

■ **Engine Power:**

164 hp {122 kW} @ 2,000 rpm
(SAE NET)

■ **Operating Weight:**

57,100 lb {25,900 kg} SK230SRLC
61,100 lb {27,700 kg} SK270SRLC



Complies with the latest exhaust emission regulations



US EPA Tier IV Final



Performance  Design

PERFORMANCE BY DESIGN

The next generation of KOBELCO excavators bring together superior performance and thoughtful design like never before. Performance enhancements offer greater efficiency and productivity along with increased power and speed. Design improvements provide the ultimate in comfort and control.

KOBELCO refuses to compromise, creating machines that meet every challenge.

SK270SR_{LG}

EXCEPTIONAL PERFORMANCE JUST GOT EVEN BETTER

Higher Efficiency, Plus a Tier IV Final Compliant Engine

The new SK230SR and SK270SR are equipped with a new Yanmar Tier IV Final compliant engine that provides excellent torque. The superior balance between engine output and torque contributes to more efficient performance than the previous models.

Model: YANMAR 4TN107FTT

Engine Output

164 hp {122 kw} / 2,000 rpm (SAE NET)

Bucket Digging Force

SK230SRLC

29,700 lb {132 kN}

(with power boost engaged)

SK270SRLC

35,300 lb {157 kN}

(with power boost engaged)

Lifting Capacity

SK230SRLC

17,270 lb {7,830 kg}

(Ground level over front @ 20')

SK270SRLC

17,770 lb {8,060 kg}

(Ground level over front @ 20')





SAFETY ON FULL DISPLAY

Standard 3 Sides Safety Camera System

Our high-resolution, large display shows right, left and rear side cameras together. Multiple display allows the operator to customize viewing needs to enhance operator awareness and jobsite safety.



Large 10-Inch Color Monitor

The easy-to-operate menu screen and recognizable icons assist the operator to select the most important information needed to ensure jobsite safety and machine control.



Dial in the Right Information

Simply turn the jog dial to the right or left to select an operational feature, then press the dial to confirm selection.





PREMIER OPERATOR COMFORTS

Heated Air Ride Suspension Seat

A 7-way adjustable seat achieves excellent shock absorption and superior ride comfort.

Multi Vent Air Conditioner

Cool air is blown from multiple outlets toward the operator's body for more comfortable operation.

Ergonomic Lever Angles

Operators can move levers horizontally without twisting their wrists, reducing fatigue.



Adjustable Height Joysticks

Joystick height is manually adjustable to suit operator's preference.

LED Interior Light

Interior lights turn on and off automatically when the door is open or the ignition is turned to the OFF position. This ensures safe entry and exit in the dark.

Tilting Left Side Console

Flip-up left console with integrated pilot control lock lever tilts for easy entry and exit from the cab.



THE ULTIMATE IN SIMPLE DESIGN

In our pursuit of functional beauty and styling, we created an all new interior design focused with the operator in mind.

Jog Dial

This dial integrates multiple functions into a single, easy to use interface. Even with gloves on, the operator can make the adjustments they need.

LED Illumination

Dials and buttons are now backlit to provide a bright, clear view in any lighting condition.



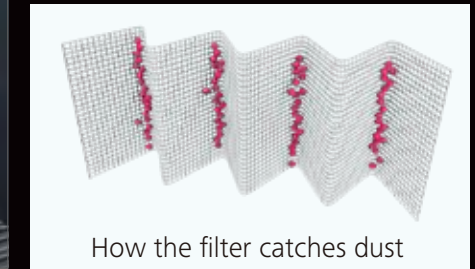
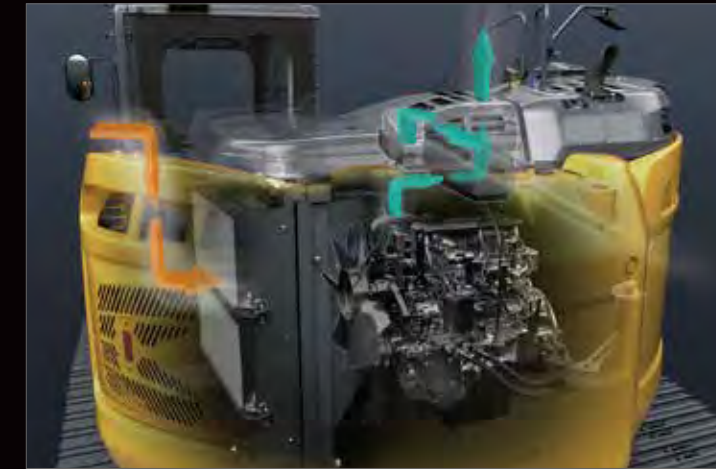
GREATER MULTI-FUNCTION CAPABILITIES

Attachment Mode Selection

The flow-rate modes for the bucket, breaker, nibbler and thumb are all adjustable presets, allowing you to change tools quickly and easily. Mode settings for other attachments like the tilt rotator can be added or changed.



EASY MAINTENANCE



How the filter catches dust

iNDR

A high-density, stainless steel mesh filter, blocks debris from clogging the machine's coolers while promoting easy clean out without tools. The ridges of the corrugated filter allow the air to pass through, and the grooves collect the dust, which prevents the filter from clogging.

iNDR Filter

The corrugated design of the iNDR filter helps prevent the cooling system and air cleaner from clogging with dust while also reducing noise and maintenance to promote a cooler, more reliable hydraulics system and engine.



Standard Overhead Top Guard Level II

The standard overhead cab guard can be tilted open with gas damper for easy window cleaning. Meets standard top guard level II requirements. (ISO 10262)



Two-Stage Air Filter

Provides superior cleaning and engine protection.



DEF Tank

The DEF fill is located inside the locking tool box.



Control valve

Cleanly mounted with easy access to test ports.



Right Side (Ground Level Maintenance)

Hydraulic pump and engine filter compartment.



Fuel filters

Main Filter / Pre-Filter with Integrated Water Separator.



Engine Oil Filter

Remote mounted for easy maintenance.



Total Support for Machines with Network Speed and Accuracy

KOMEXS is a telematics system for receiving machine information. Manage your machines anywhere in the world using the Internet. Location, workload and diagnostic data aid business operations.



Direct Access to Operational Status

Location Data

Accurate location data can be obtained even from sites where communications are difficult.



Latest location

Fuel Consumption Data

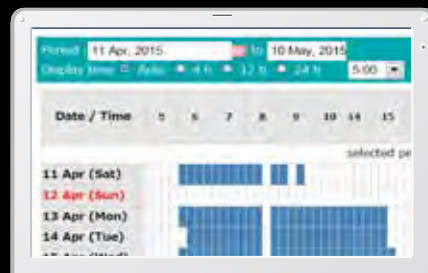
Data on fuel consumption and idling times can be used to indicate improvements in fuel consumption.

Work mode	Working Hrs	Total Fuel Consumption
H mode	2:06	24.5 L
S mode	0:00	0.0 L
E mode	169:19	1489.7 L
TOTAL	171:25	1514.2 L

Fuel consumption

Operating Hours

A comparison of operating times of machines at multiple locations shows which locations are busier and more profitable. Operating hours on site can be accurately recorded, for running time calculations needed for rental machines, etc.



Daily report

Graph of Work Content

The graph shows how working hours are divided among different operating categories, including digging, idling, traveling, and optional operations (NGB).



Work status

Maintenance Data and Warning Alerts

Machine Maintenance Data

Provides maintenance status of separate machines operating at multiple sites. Maintenance data is also relayed to KOBELCO service personnel, for more efficient planning of periodic servicing.

Model	Serial No.	Hour Meter	Engine Oil
SK135SLC	Y1907-02721	734 Hr	834 Hr
3/5K3405RL	0.38/0.35		
SK135SLC	Y1907-02780	73 Hr	429 Hr
3/5K3405RL	0.38/0.35		
SK210LC-0	Y2117-10438	960 Hr	58 Hr
	0.8/0.7		
SK210LC-0	Y2117-10481	549 Hr	498 Hr
	0.8/0.7		
SK750R	Y708-10374		

Warning Alerts

This system warns an alert if an anomaly is sensed, preventing damage that could result in machine downtime.

Security System

Engine Start Alarm

Sends a notification if the engine is started outside of pre-defined hours.

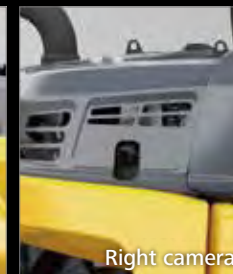
Area Alarm

Sends a notification if the machine leaves a pre-defined area.

SAFETY AND CONVENIENCE IN EVERY CORNER



Rear camera



Right camera



Left camera

Standard Rear, Left and Right Side Cameras



Swing Flashers for a Safer Jobsite

Standard swing flashers notify ground workers that the machine is swinging.



Travel Alarm



Seatbelt Unfastened Indicator On Monitor



2 on boom (Left & Right)

1 on upper frame

Standard 7 LED Lights

Bright LED lights ensure visibility even during night work.



2 on counterweight

2 on cab top front



Wire Mesh or Vertical Bar Front Cab Guard (optional)



Battery Disconnect Switch with DEF Purge Notification Buzzer



Arm

Bucket link

Machine Guidance Ready Brackets

Pre-welded brackets for quicker and easier installation of Machine Guidance Systems.



Boom

Counterweight



Quick Coupler Piping Brackets



Adjustable Height Joystick Consoles

The operator can adjust height of attachment control levers.



Hands-Free Bluetooth® Phone Calls



USB Charging Port / 12V Power Outlet



Smartphone Holder
Includes USB port for charging.

Specifications

Engine

Model	YANMAR 4TN107FTT
Type	Direct injection, water-cooled, 4-cycle diesel engine with turbocharger, intercooler, Tier IV Final certified
No. of cylinders	4
Bore and stroke	4.2" x 5.0" {107 mm x 127 mm}
Displacement	278.7 cu.in {4.567 L}
Rated power output	164 hp {122 kW} /2,000 min ⁻¹ (SAE NET) 170 hp {127 kW} /2,000 min ⁻¹ (Without fan)
Max. torque	584 lbft {792 N·m} /1,500 min ⁻¹ (SAE NET) 594 lb-ft {805 N·m} /1,500 min ⁻¹ (Without fan)

Hydraulic System

Pump	
Type	Two variable displacement pumps +one gear pump
Max. discharge flow	2 x 58.1 U.S.gph {2 x 220 L/min} 1 x 5.3 U.S.gph {1 x 20 L/min}
Relief valve setting	
Boom, arm and bucket	4,970 psi {34.3 Mpa}
Power Boost	5,480 psi {37.8 Mpa}
Travel circuit	4,970 psi {34.3 Mpa}
Swing circuit	SK230SRLC 4,210 psi {29.0 Mpa} SK270SRLC 4,120 psi {28.4 Mpa}
Control circuit	725 psi {5.0 Mpa}
Pilot control pump	Gear type
Main control valve	8-spool
Oil cooler	Air cooled type

Swing System

Model	SK230SRLC	SK270SRLC
Swing motor	Axial piston motor	
Brake	Hydraulic; locking automatically when the swing control lever is in the neutral position	
Parking brake	Oil disk brake, hydraulic operated automatically	
Swing speed	12.6 rpm {12.6 min ⁻¹ }	10.2 rpm {10.2 min ⁻¹ }
Swing torque	52,740 lb-ft {71.5 kN·m} (SAE)	64,680 lb-ft {87.7 kN·m} (SAE)

Hydraulic P.T.O.

Output	Maximum pressure psi {MPa}	Max. flow U.S. gpm, {lpm} (0 pressure)
Specification		2,000 rpm
Auxiliary	4,970 {34.3}	2 x 58.1 {2 x 220}
Rotation	2,990 {20.6}	10.7 {40.6}

Operating Weight & Ground Pressure

In standard trim, with standard boom, 9'5" {2.87 m} arm, and 1.05 cu.yd. {0.8 m³} SAE heaped bucket

Model	SK230SRLC
Shaped	Triple grouser shoes (even height)
Shoe width	ft-in {mm} 31.1" {790}
Overall width of crawler	ft-in{mm} 10'5" {3,180}
Ground pressure	psi{kPa} 5.9 {41.0}
Ground pressure (with dozer blade)	psi{kPa} 6.3 {43.0}
Operating weight	lb{kg} 57,100 {25,900}
Operating weight (with dozer blade)	lb{kg} 60,600 {27,500}

Travel System

Model	SK230SRLC	SK270SRLC
Travel motors	2 x axial-piston, two-step motors	
Travel brakes	Hydraulic brake per motor	
Parking brakes	Oil disc brake per motors	
Travel shoes	49 each side	51 each side
Travel speed	3.6/2.2 mph {5.8/3.5 km/h}	3.2/2.0 mph {5.2/3.2 km/h}
Drawbar pulling force	50,800 lb {226 kN}	54,400 lb {242 kN}
Gradeability	70% {35°}	

Cab & Control

Cab
All-weather, sound-suppressed steel cab mounted on the silicon-sealed viscous mounts and equipped with a heavy, insulated floor mat.
Control
Two hand levers and two foot pedals for travel
Two hand levers for excavating and swing
Electric rotary-type engine throttle

Boom, Arm & Bucket

Model	SK230SRLC	SK270SRLC
Boom cylinders	4.7" {120} x 4'5" {1,355}	4.9" {125} x 4'4" {1,320}
Arm cylinder	5.1" {130} x 4'7" {1,406}	5.3" {135} x 5'1" {1,558}
Bucket cylinder	4.3" {110} x 3'6" {1,064}	4.7" {120} x 3'7" {1,080}

Dozer Blade (Optional)

Model	SK230SRLC	SK270SRLC
Dozer cylinder	5.5" {140 mm} x 7.9" {200 mm}	
Dimension	10'5" {3,180 mm} (width) 27.0" {685 mm} (height)	11'1" {3,390 mm} (width) 27.0" {685 mm} (height)
Working range	21.5" {545 mm} (up) 14.6" {370 mm} (down)	21.9" {555 mm} (up) 14.0" {355 mm} (down)

Refilling Capacities & Lubrications

Model	SK230SRLC	SK270SRLC
Fuel tank	87.2 U.S.gal {330 L}	
Cooling system	6.1 U.S.gal {23 L}	
Engine oil	5.3 U.S.gal {20 L}	
Travel reduction gear	2 x 1.3 U.S.gal {2 x 5 L}	
Swing reduction gear	0.7 U.S.gal {2.7 L}	1.3 U.S.gal {5 L}
Hydraulic oil tank	30.1 U.S.gal {114 L} tank oil level 60.8 U.S.gal {230 L} hydraulic system	
DEF tank	9.0 U.S.gal {33.9 L}	

In standard trim, with standard boom, 9'8" {2.94 m} arm, and 1.05 cu.yd. {0.8 m³} SAE heaped bucket

Model	SK270SRLC
Shaped	Triple grouser shoes (even height)
Shoe width	ft-in {mm} 31.5" {800}
Overall width of crawler	ft-in{mm} 11'1" {3,390}
Ground pressure	psi{kPa} 6.0 {41.0}
Ground pressure (with dozer blade)	psi{kPa} 6.3 {44.0}
Operating weight	lb{kg} 61,100 {27,700}
Operating weight (with dozer blade)	lb{kg} 64,600 {29,300}

Working Ranges (SK230SRLC)

Boom	18'5" {5.62 m}
Arm	9'5" {2.87 m}
Range	
a-Max. digging reach	31'10" {9.70}
b-Max. digging reach at ground level	31'3" {9.53}
c-Max. digging depth	21'7" {6.58}
d-Max. digging height	34'9" {10.58}
e-Max. dumping clearance	25'4" {7.71}
f-Min. dumping clearance	9'9" {2.98}
g-Max. vertical wall digging depth	19'6" {5.95}
h-Min. swing radius	7'9" {2.37}
i-Horizontal digging stroke at ground level	16'6" {5.03}
j-Digging depth for 8' {2.4 m} flat bottom	20'11" {6.37}
Bucket capacity SAE heaped cu.yd. {m ³ }	1.05 {0.80}

Digging Force (ISO 6015)

Arm length	9'5" {2.87 m}	
Bucket digging force	SAE	24,300 {108} 26,800 {119}*
	ISO	27,000 {120} 29,700 {132}*
Arm crowding force	SAE	19,200 {85.5} 21,200 {94.1}*
	ISO	19,800 {88.0} 21,800 {96.8}*

*Power Boost engaged.

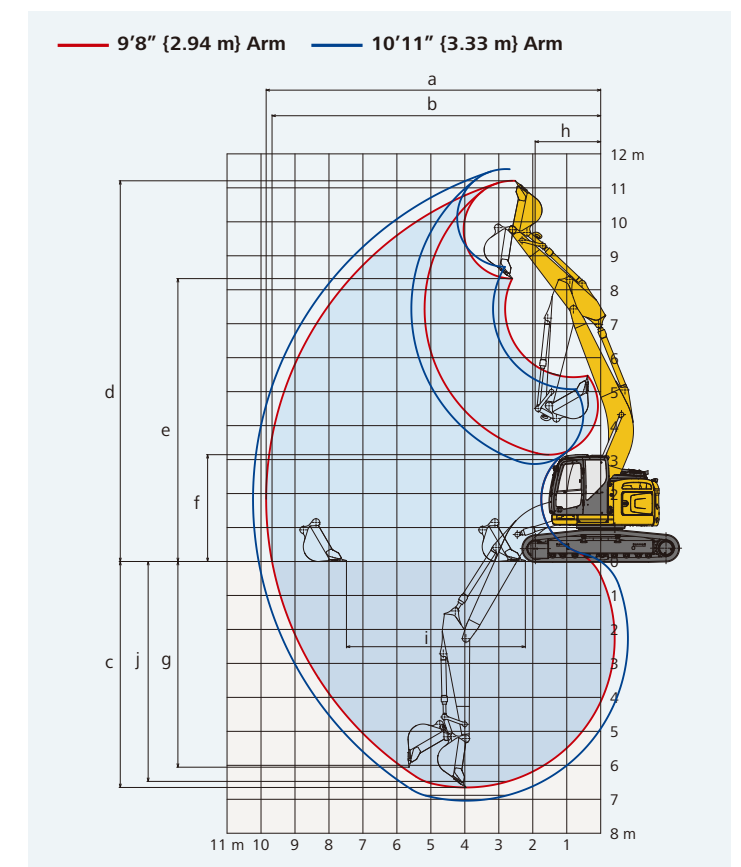
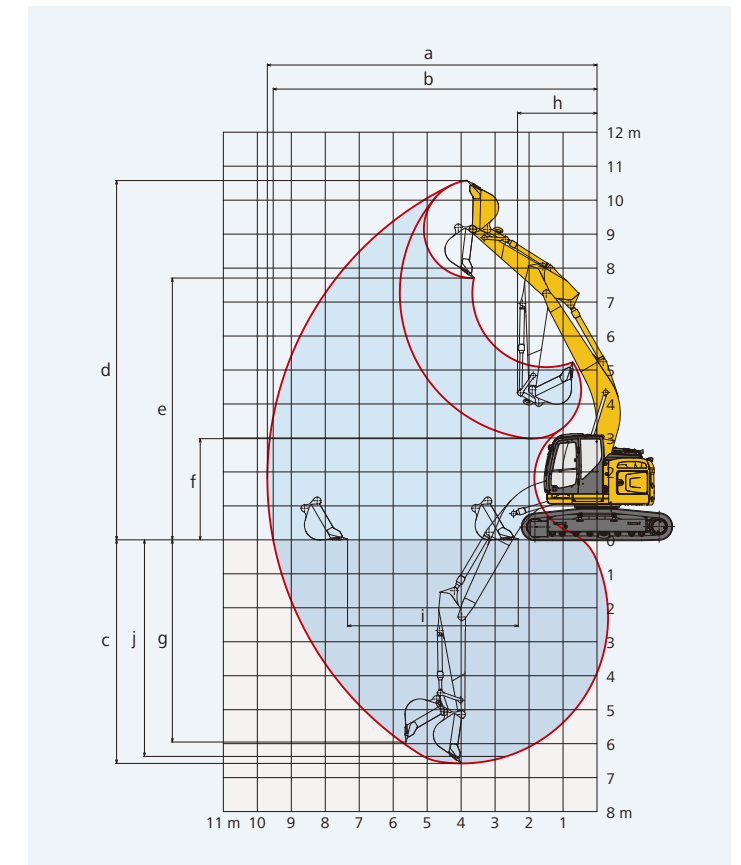
Working Ranges (SK270SRLC)

Boom	18'6" {5.65 m}	
Arm	9'8" {2.94 m}	10'11" {3.33 m}
Range		
a-Max. digging reach	32'4" {9.85}	33'7" {10.24}
b-Max. digging reach at ground level	31'9" {9.68}	33'0" {10.07}
c-Max. digging depth	21'10" {6.65}	23'1" {7.04}
d-Max. digging height	36'9" {11.21}	37'11" {11.55}
e-Max. dumping clearance	27'4" {8.33}	28'5" {8.67}
f-Min. dumping clearance	10'4" {3.14}	9'5" {2.87}
g-Max. vertical wall digging depth	19'11" {6.06}	21'2" {6.44}
h-Min. swing radius	6'5" {1.96}	7'10" {2.40}
i-Horizontal digging stroke at ground level	17'3" {5.27}	18'7" {5.66}
j-Digging depth for 8' {2.4 m} flat bottom	21'3" {6.47}	22'7" {6.88}
Bucket capacity SAE heaped cu.yd. {m ³ }	1.05 {0.80}	0.9 {0.70}

Digging Force (ISO 6015)

Arm length	9'8" {2.94 m}		10'11" {3.33 m}	
Bucket digging force	SAE	29,330 {130} 32,190 {143}*		
	ISO	32,100 {143} 35,300 {157}*		
Arm crowding force	SAE	22,200 {98.8} 24,500 {109}*	20,900 {92.8}	22,900 {102}*
	ISO	22,900 {102} 25,200 {112}*	21,500 {95.6}	23,600 {105}*

*Power Boost engaged.



Dimensions (SK230SR_{LC})

Unit: ft-in (mm)

Arm length	9'5" (2.87 m)
A Overall length	29'0" (8,830)
A' Overall length (with dozer blade)	31'8" (9,660)
B Overall height (to top of boom)	9'11" (3,010)
C Overall width	10'5" (3,180)
D Overall height (to top of cab)	10'4" (3,160)
E Ground clearance of rear end*	3'5" (1,030)
F Ground clearance*	17.5" (445)
G Tail swing radius	6'0" (1,840)
G' Distance from center of swing to rear end	6'0" (1,840)
H Tumbler distance	12'0" (3,660)
I Overall length of crawler	14'7" (4,450)
J Track gauge	7'10" (2,390)
K Shoe width	31.1" (790)
L Overall width of upperstructure	9'10" (2,990)
M Dozer blade (up/down)**	21.5" (545)/14.6" (370)

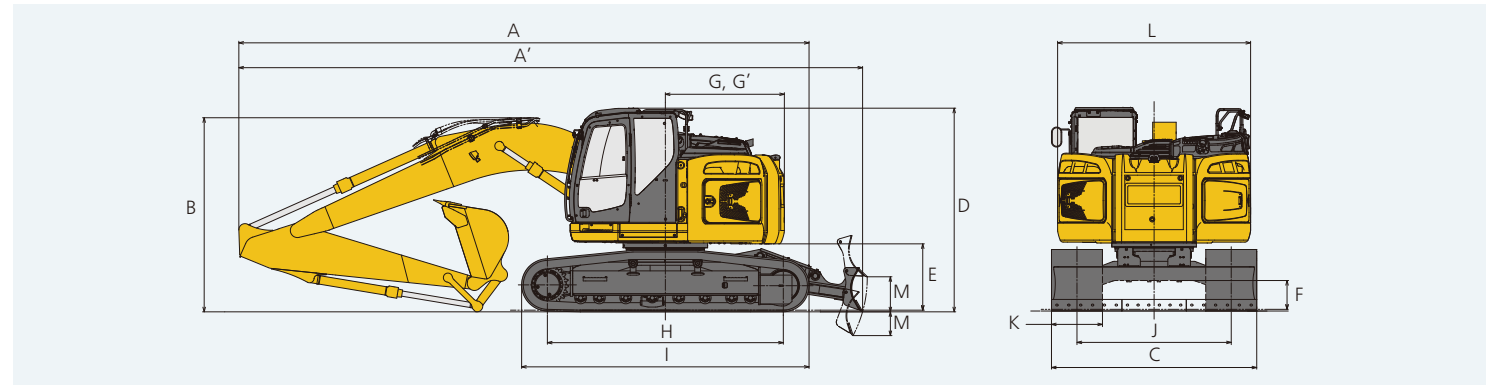
*Without including height of shoe lug. **Shoe width: 31.1" (790 mm)

Dimensions (SK270SR_{LC})

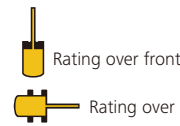
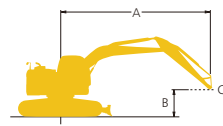
Unit: ft-in (mm)

Arm length	9'8" (2.94 m)	10'11" (3.33 m)
A Overall length	29'5" (8,970)	29'8" (9,040)
A' Overall length (with dozer blade)	32'1" (9,770)	32'3" (9,840)
B Overall height (to top of boom)	9'9" (2,980)	11'3" (3,430)
C Overall width	11'1" (3,390)	
D Overall height (to top of cab)	10'5" (3,180)	
E Ground clearance of rear end*	3'5" (1,050)	
F Ground clearance*	17.9" (455)	
G Tail swing radius	6'2" (1,880)	
G' Distance from center of swing to rear end	6'2" (1,880)	
H Tumbler distance	12'8" (3,850)	
I Overall length of crawler	15'3" (4,640)	
J Track gauge	8'6" (2,590)	
K Shoe width	31.5" (800)	
L Overall width of upperstructure	9'10" (2,990)	
M Dozer blade (up/down)**	21.9" (555)/14.0" (355)	

*Without including height of shoe lug. **Shoe width: 31.5" (800 mm)



Lift Capacities



A - Reach from swing centerline to arm top
 B - Arm top height above/below ground
 C - Lift point (kg)
 Relief valve setting (Heavy Lift): 5,480 psi (37.8 MPa)

SK230SR _{LC}		Boom: 18'5" (5.62 m)	Arm: 9'5" (2.87 m)	Without bucket:	Counterweight: 16,100 lb (7,310 kg)	Shoe: 31.1" (790 mm)	Dozer: without (Heavy Lift)
B	A	5' (1.5 m)	10' (3.0 m)	15' (4.6 m)	20' (6.1 m)	25' (7.6 m)	At max. reach
30' (9.1 m)	lb (kg)						*8,980 (4,070) *8,980 (4,070) 12'2" (3.71 m)
25' (7.6 m)	lb (kg)						*7,150 (3,240) *7,150 (3,240) 19'2" (5.85 m)
20' (6.1 m)	lb (kg)						*6,600 (2,990) *6,600 (2,990) 23'2" (7.06 m)
15' (4.6 m)	lb (kg)						*6,490 (2,940) *6,490 (2,940) 25'6" (7.79 m)
10' (3.0 m)	lb (kg)						*6,680 (3,020) *6,680 (3,020) 26'9" (8.17 m)
5' (1.5 m)	lb (kg)						*7,170 (3,250) *7,170 (3,250) 27'1" (8.26 m)
G.L.	lb (kg)						*8,070 (3,660) 7,390 (3,350) 26'5" (8.05 m)
-5' (-1.5 m)	lb (kg)						*9,750 (4,420) 8,050 (3,650) 24'8" (7.54 m)
-10' (-3.0 m)	lb (kg)						*12,650 (5,730) 9,630 (4,360) 21'9" (6.63 m)
-15' (-4.6 m)	lb (kg)						*10,890 (4,930) *10,890 (4,930) 16'10" (5.14 m)

SK230SR _{LC}		Boom: 18'5" (5.62 m)	Arm: 9'5" (2.87 m)	Without bucket:	Counterweight: 16,100 lb (7,310 kg)	Shoe: 31.1" (790 mm)	Dozer: Blade down (Heavy Lift)
B	A	5' (1.5 m)	10' (3.0 m)	15' (4.6 m)	20' (6.1 m)	25' (7.6 m)	At max. reach
30' (9.1 m)	lb (kg)						*8,980 (4,070) *8,980 (4,070) 12'2" (3.71 m)
25' (7.6 m)	lb (kg)						*7,150 (3,240) *7,150 (3,240) 19'2" (5.85 m)
20' (6.1 m)	lb (kg)						*6,600 (2,990) *6,600 (2,990) 23'2" (7.06 m)
15' (4.6 m)	lb (kg)						*6,490 (2,940) *6,490 (2,940) 25'6" (7.79 m)
10' (3.0 m)	lb (kg)						*6,680 (3,020) *6,680 (3,020) 26'9" (8.17 m)
5' (1.5 m)	lb (kg)						*7,170 (3,250) *7,170 (3,250) 27'1" (8.26 m)
G.L.	lb (kg)						*8,070 (3,660) 7,390 (3,350) 26'5" (8.05 m)
-5' (-1.5 m)	lb (kg)						*9,750 (4,420) 8,050 (3,650) 24'8" (7.54 m)
-10' (-3.0 m)	lb (kg)						*12,650 (5,730) 9,630 (4,360) 21'9" (6.63 m)
-15' (-4.6 m)	lb (kg)						*10,890 (4,930) *10,890 (4,930) 16'10" (5.14 m)

SK270SR _{LC}		Boom: 18'6" (5.65 m)	Arm: 9'8" (2.94 m)	Without bucket:	Counterweight: 16,100 lb (7,310 kg)	Shoe: 31.5" (800 mm)	Dozer: without (Heavy Lift)
B	A	5' (1.5 m)	10' (3.0 m)	15' (4.6 m)	20' (6.1 m)	25' (7.6 m)	At max. reach
30' (9.1 m)	lb (kg)						*11,850 (5,370) *11,850 (5,370) 13'5" (4.10 m)
25' (7.6 m)	lb (kg)						*9,540 (4,320) *9,540 (4,320) 19'11" (6.08 m)
20' (6.1 m)	lb (kg)						*8,760 (3,970) *8,760 (3,970) 23'9" (7.24 m)
15' (4.6 m)	lb (kg)						*8,540 (3,870) *8,540 (3,870) 26'1" (7.95 m)
10' (3.0 m)	lb (kg)						*8,700 (3,940) 8,290 (3,760) 27'3" (8.32 m)
5' (1.5 m)	lb (kg)						*9,210 (4,170) 8,010 (3,630) 27'6" (8.40 m)
G.L.	lb (kg)						*10,190 (4,620) 8,180 (3,710) 26'10" (8.19 m)
-5' (-1.5 m)	lb (kg)						*12,290 (5,570) 8,990 (4,070) *12,290 (5,570) 25'2" (7.69 m)
-10' (-3.0 m)	lb (kg)						*11,160 (5,060) 10,600 (4,800) 22'4" (6.80 m)
-15' (-4.6 m)	lb (kg)						*8,730 (3,950) *8,730 (3,950) 17'7" (5.37 m)

SK270SR _{LC}		Boom: 18'6" (5.65 m)	Arm: 9'8" (2.94 m)	Without bucket:	Counterweight: 16,100 lb (7,310 kg)	Shoe: 31.5" (800 mm)	Dozer: Blade down (Heavy Lift)
B	A	5' (1.5 m)	10' (3.0 m)	15' (4.6 m)	20' (6.1 m)	25' (7.6 m)	At max. reach
30' (9.1 m)	lb (kg)						*11,850 (5,370) *11,850 (5,370) 13'5" (4.10 m)
25' (7.6 m)	lb (kg)						*9,540 (4,320) *9,540 (4,320) 19'11" (6.08 m)
20' (6.1 m)	lb (kg)						*8,760 (3,970) *8,760 (3,970) 23'9" (7.24 m)
15' (4.6 m)	lb (kg)						*8,540 (3,870) *8,540 (3,870) 26'1" (7.95 m)
10' (3.0 m)	lb (kg)						*8,700 (3,940) *8,700 (3,940) 27'3" (8.32 m)
5' (1.5 m)	lb (kg)						*9,210 (4,170) 8,550 (3,870) 27'6" (8.40 m)
G.L.	lb (kg)						*10,190 (4,620) 8,730 (3,950) 26'10" (8.19 m)
-5' (-1.5 m)	lb (kg)						*12,290 (5,570) 9,600 (4,350) *12,290 (5,570) 25'2" (7.69 m)
-10' (-3.0 m)	lb (kg)						*11,160 (5,060) *11,160 (5,060) 22'4" (6.80 m)
-15' (-4.6 m)	lb (kg)						*8,730 (3,950) *8,730 (3,950) 17'7" (5.37 m)

SK270SR _{LC}		Boom: 18'6" (5.65 m)	Arm: 10'11" (3.33 m)	Without bucket:	Counterweight: 16,100 lb (7,310 kg)	Shoe: 31.5" (800 mm)	Dozer: without (Heavy Lift)
B	A	5' (1.5 m)	10' (3.0 m)	15' (4.6 m)	20' (6.1 m)	25' (7.6 m)	At max. reach
30' (9.1 m)	lb (kg)						*10,710 (4,850) *10,710 (4,850) 15'11" (4.85 m)
25' (7.6 m)	lb (kg)						*8,920 (4,040) *8,920 (4,040) 21'8" (6.61 m)
20' (6.1 m)	lb (kg)						*8,250 (3,740) *8,250 (3,740) 25'2" (7.69 m)
15' (4.6 m)	lb (kg)						*8,040 (3,640) *8,040 (3,640) 27'5" (8.36 m)
10' (3.0 m)	lb (kg)						*8,160 (3,700) 7,740 (3,510) 28'7" (8.71 m)
5' (1.5 m)	lb (kg)						*9,020 (4,090) *9,020 (4,090) *8,580 (3,890) 7,490 (3,390) 28'9" (8.78 m)
G.L.	lb (kg)						*9,390 (4,250) 7,620 (3,450) 28'2" (8.59 m)
-5' (-1.5 m)	lb (kg)						*12,940 (5,860) 8,900 (4,030) *10,830 (4,910) 8,210 (3,720) 26'7" (8.11 m)
-10' (-3.0 m)	lb (kg)						*10,830 (4,910) 9,580 (4,340) 23'10" (7.28 m)
-15' (-4.6 m)	lb (kg)						*9,080 (4,110) *9,080 (4,110) 19'6" (5.96 m)

SK270SR _{LC}		Boom: 18'6" (5.65 m)	Arm: 10'11" (3.33 m)	Without bucket:	Counterweight: 16,100 lb (7,310 kg)	Shoe: 31.5" (800 mm)	Dozer: Blade down (Heavy Lift)
B	A	5' (1.5 m)	10' (3.0 m)	15' (4.6 m)	20' (6.1 m)	25' (7.6 m)	At max. reach
30' (9.1 m)	lb (kg)						*10,710 (4,850) *10,710 (4,850) 13'5" (4.10 m)
25' (7.6 m)	lb (kg)						*8,920 (4,040) *8,920 (4,040) 19'11" (6.08 m)
20' (6.1 m)	lb (kg)						*8,250 (3,740) *8,250 (3,740) 23'9" (7.24 m)
15' (4.6 m)	lb (kg)						*8,040 (3,640) *8,040 (3,640) 26'1" (7.95 m)
10' (3.0 m)	lb (kg)						*8,160 (3,700) *8,160 (3,700) 27'3" (8.32 m)
5' (1.5 m)	lb (kg)						*9,020 (4,090) *9,020 (4,090) *8,580 (3,890) 8,000 (3,630) 27'6" (8.40 m)
G.L.	lb (kg)						*9,390 (4,250) 8,140 (3,690) 26'10" (8.19 m)
-5' (-1.5 m)	lb (kg)						*12,940 (5,860) 9,500 (4,300) *10,830 (4,910) 8,770 (3,970) 25'2" (7.69 m)
-10' (-3.0 m)	lb (kg)						*10,830 (4,910) 10,220 (4,630) 22'4" (6.80 m)
-15' (-4.6 m)	lb (kg)						*9,080 (4,110) *9,080 (4,110) 17'7" (5.37 m)

- Notes:**
- Do not attempt to lift or hold any load that is greater than these lift capacities at their specified lift point radius and heights. Weight of all accessories must be deducted from the above lift capacities.
 - Lift capacities are based on machine standing on level, firm, and uniform ground. User must make allowance for job conditions such as soft or uneven ground, out of level conditions, side loads, sudden stopping of loads, hazardous conditions, experience of personnel, etc.
 - Bucket pin attachment point defined as lift point.
 - The above lift capacities are in compliance with ISO 10567. They do not exceed 87% of hydraulic lift capacity or 75% of tipping load. Lift capacities marked with an asterisk(*) are limited by hydraulic capacity rather than tipping load.
 - Operator should be fully acquainted with the Operator's and Maintenance Instructions before operating this machine. Rules for safe operation of equipment should be adhered to at all times.
 - Lift capacities apply to only machine as originally manufactured and normally equipped by KOBELCO CONSTRUCTION MACHINERY CO., LTD.